

HIGHBAY.A



FIXTURE CODE: **HBA**

LIGHT ENGINE RETROFITS

- L70 Rated life of 100,000+ hours
- Minimum CRI: 70; Custom CRI available upon request.
- Operating temp: -30° C to +60° C
- No toxic chemicals/ROHS compliant
- ETL certified, meets UL and CSA standards
- Eligible for Rebates
- 50-90% energy savings
- Manufactured in the USA

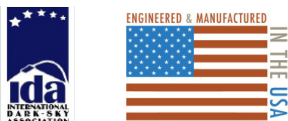
INSTALLATION

- Licensed electrician required
- Contact Noribachi for additional support

WARRANTY

- 5-year manufacturer's warranty
- **10YR** - Optional 10-year manufacturer's warranty
- U.S. manufacturing and quality control

CERTIFICATIONS



APPEARANCE

HOUSING	LENS	MOUNTING	DIFFUSION
<ul style="list-style-type: none"> • STANDARD • MATTE 	<ul style="list-style-type: none"> • NONE 	<ul style="list-style-type: none"> • EYE HOOK 	<ul style="list-style-type: none"> • NONE

ELECTRICAL CHARACTERISTICS

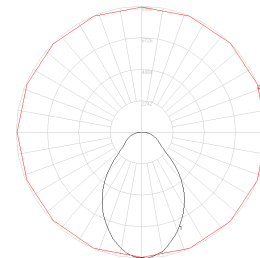
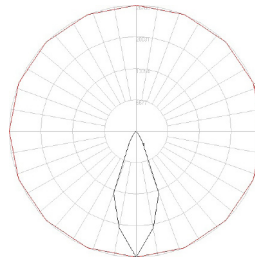
- EMI filter: 47CFR, part 2, part 15
- Power factor: >.9
- Total harmonic distortion: <20%
- Surge protection: IEC/EN 61000-4-5 EMC test standard

OPTIONAL UPGRADES

- **L515** - L515P 120V Twist Lock Plug
- **L615** - L615P 240V Twist Lock Plug
- **L715** - L715P 277V Twist Lock Plug
- **L720** - L720P 277V Twist Lock Plug
- **L820** - L820P 480V Twist Lock Plug
- **L830** - L830P 480V twist Lock Plug
- **CORD6** - 6' 16/3 600V STW Cord

OPTIONAL BEAM SPREAD AND TYPE DISTRIBUTION

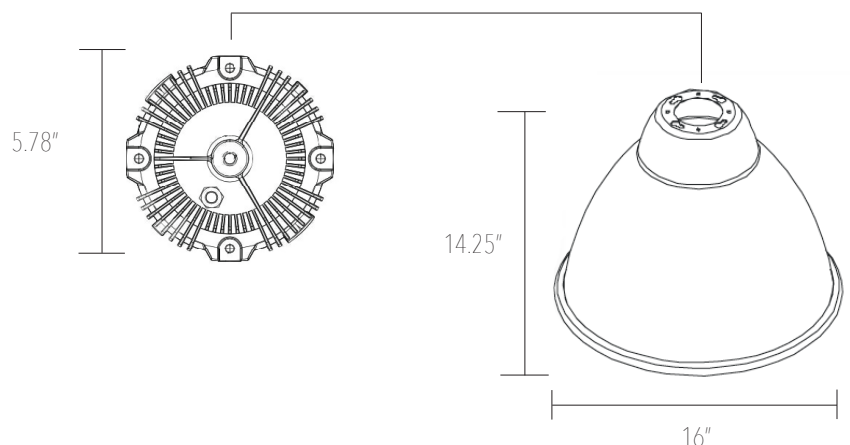
- **40D** - Optional 40° Beam Spread
- **80D** - Optional 80° Beam Spread



DIMENSIONS

POWER SUPPLY HEIGHT: 1.78"
POWER SUPPLY DIAMETER: 5.78"

REFLECTOR HEIGHT: 14.25"
REFLECTOR DIAMETER: 16"



HIGHBAY.A

AVAILABLE LIGHT ENGINE RETROFITS



HEX-063

DRIVE CURRENT	WATTAGE	REPLACES	LUMEN OUTPUT	CATALOG #
B	95W	200-400W	13,293lm	HEX-063-B-CW-MT-HBA

HEX-084

DRIVE CURRENT	WATTAGE	REPLACES	LUMEN OUTPUT	CATALOG #
B	126W	300-525W	17,724lm	HEX-084-B-CW-MT-HBA

COOL WHITE (Typical Values May Differ Depending On Environment)

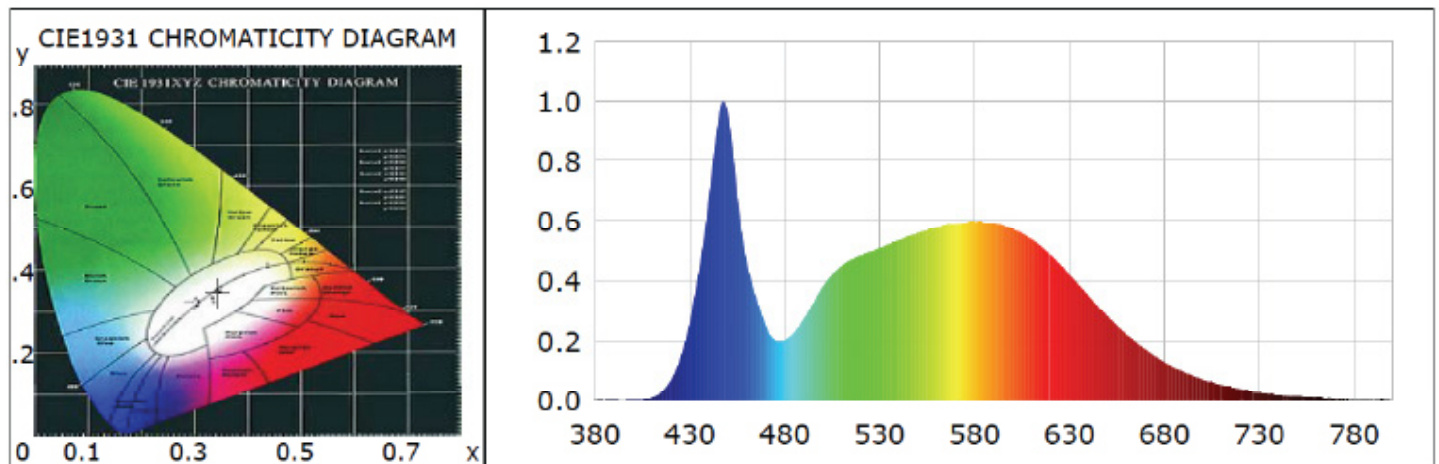
CIE Colorimetric Parameters

Chromaticity coordinates: $x=0.3322$ $Y=0.3514$
 Color Ratio: $R=0.131$ $G=0.842$ $B=0.028$
 Dominant Wavelength: 552.5nm

$u(u')=0.2028$ $v=0.3218$ $v'=0.4827$
 Peak Wavelength: 443nm
 Color Purity: 0.052

CCT: $T_c=5514k$ ($duv=0.00534$)
 Half Bandwidth: 20.0nm
 CRI: $R_i=Ra=69.7$

R1 =71 R2 =69 R3 =65 R4 =76 R5 =73 R6 =59 R7 =76 R8 =67 R9 =14 R10=25 R11=978 R12=36 R13=68 R14=80 R15=67



Photometrics Parameters

Luminous Flux: 15,948.3 lm

Efficiency: 99.86 lm/W

Radiant Power: 48.055W

Electric Parameters

Voltage: 119.80V
 Power Factor: 0.9950

Current: 1.3360A
 Frequency: 49.98Hz

Power: 159.70W