

Incredible **100,000 hrs**

### GENERAL DESCRIPTION

Neptun's Induction 16" White Aluminum Low-Bay fixtures combine architectural design and versatility to make it an excellent choice for new construction or retrofit applications. The 16" housing is offered in a variety of wattages to provide maximum flexibility in all types of applications. It can replace existing HID & HPS fixtures up to 200W.

### APPLICATION

- Warehouse Lighting
- Factory Lighting
- Retail Lighting
- Showroom Lighting
- Grocery Store Lighting
- Area & Storage Lighting
- Gymnasium Lighting

### STRUCTURE, MATERIALS, & FEATURES

- 16" high reflectance Aluminum hood.
- Corrosion resistant die-cast aluminum gear box with white electrocoat finish.
- Inductively coupled circular induction bulb.
- High power factor, low THD electronic ballast with surge protection.
- Instant-On flicker-free Cold Start and Hot Re-Start.
- High quality glare-free light with high CRI above (83).
- Bright white light (5000°K) for greater visibility and safety.
- Advance phosphors for high lumen output and high lumen maintenance.
- Up to 20 year maintenance free operation.
- 10 Year Warranty.

### ORDERING INFORMATION

Sample Number: 171050-UNV-AL-850-MD-C3-WG  
 Custom options and accessories available. Please consult factory

Series	Lamp Wattage	Reflector Type	Voltage	Color Temp	Accessories	Options
<b>171</b> = 16" Low-Bay	<b>050</b> = 50 W <b>080</b> = 80 W <b>100</b> = 100 W <b>120</b> = 120 W	<b>AL</b> = Aluminum	<b>UNV</b> = 120-277 VAC <b>347V</b> = 347 VAC <b>480V</b> = 480 VAC	<b>830</b> = 3000°K <b>841</b> = 4100°K <b>850</b> = 5000°K * * Standard	<b>LD-120V</b> = Photocell for 120V <b>LD-277V</b> = Photocell for 277V <b>MD</b> = Motion Sensor Detector	<b>C3*</b> = 3' Cord-No Plug (other lengths available by specifying cord length C6 = 6' cord) <b>PC3</b> = 3' Cord with NEMA Plug (verify plug type when ordering) <b>WG</b> = Wire Guard * Standard



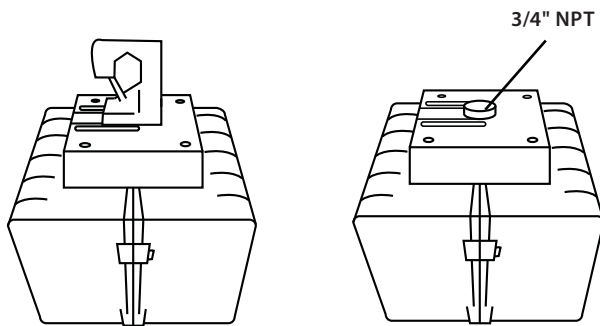
### PRODUCT INFORMATION

Model No.	Description	Rated Watts	Input Watts	Initial Lumens	Universal Line Voltage (VAC)	Max Line Current (Amp) @ 120 - 277	THD	Power Factor	Weight
171050-AL-UNV	16" Low-Bay Fixture	50	51	4,000	120-277	0.46-0.21	<10%	0.98	18 lbs
171080-AL-UNV	16" Low-Bay Fixture	80	82	5,600	120-277	0.69-0.30	<10%	0.98	18 lbs
171100-AL-UNV	16" Low-Bay Fixture	100	105	8,000	120-277	0.87-0.37	<10%	0.98	18 lbs
171120-AL-UNV	16" Low-Bay Fixture	120	125	9,600	120-277	1.05-0.45	<10%	0.98	20 lbs

### SPECIFICATIONS

- Ballast Type ..... Electronic
- Start Method ..... InstantON
- Hot Re-start ..... InstantON
- Universal Input Line Voltage ..... 120-277 VAC
- Lamp Operating Frequency ..... 250 kHz
- Ballast Off-State Draw ..... 0 Watts
- Sound Rating ..... Class A
- ANSI Surge Protection ..... Class A
- Lamp / Ballast System Life ..... 100,000 Hrs.
- Lumen Maintenance @75,000Hrs ..... > 70%
- Color Temperature ..... 5000°K
- Color Rendering Index (CRI) ..... 83
- Minimum Starting Temperature ..... -20°F
- Maximum Starting Temperature ..... 160°F
- Lumens per Watt ..... 80
- Shock / Vibration Resistant ..... Yes
- Power Factor ..... > 0.98
- Total Harmonic Distortion ..... < 10%
- Inrush Current Peak ..... < 10 Amp
- ETL Listed / UL Standard 1598 ..... Yes
- FCC Compliance ..... Part 18, Subp. C
- IP Rating ..... IP43
- Warranty ..... 10 Year

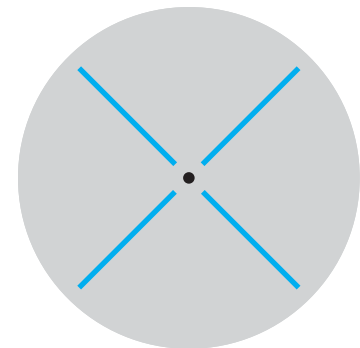
### MOUNTING OPTIONS



Hook Mount (Standard)

Pendant Mount

### PHOTOMETRICS (See Complete IES File)



Type V Distribution