

Incredible **100,000 hrs**

### GENERAL DESCRIPTION

Neptun's 24" Induction Round Post-Top fixture combines classic form and versatility to make it an excellent choice for new construction or retrofit applications. The 58 series square post-top fixture is offered in a variety of wattages to provide maximum flexibility in all types of applications. It can replace existing HID fixtures up to 1000W.

### APPLICATION

- Parking Lot Lighting
- Car Lot Lighting
- Area & Storage Lighting
- Street Lighting
- Walkway Lighting

### STRUCTURE, MATERIALS, & FEATURES

- Heavy-gauge, stainless steel housing.
- Custom designed anodized aluminum reflectors for superior illuminance.
- Heat and impact resistant tempered flat glass lens. (IESNA full-cutoff)
- 3.38" I.D. Slip Fitter Accepts up to 3" Pipe or Tenon. (hardware included)
- Corrosion resistant electrocoat dark bronze finish (custom colors available).
- Stainless steel door frame incorporates stainless steel hardware.
- Continuous silicone gasketing surrounds lens for weather - tight seal.
- Inductively coupled circular induction bulb.
- High power factor, low THD electronic ballast.
- Instant-On flicker-free Cold Start and Hot Re-Start.
- High quality glare-free light with high CRI above (83).
- Bright white light (5000°K) for greater visibility and safety.
- Advance phosphors for high lumen output and high lumen maintenance.
- Up to 20 year maintenance free operation.
- 10 Year Warranty.

### ORDERING INFORMATION

Sample Number: 59200-UNV-850-LD-BRZ  
 Custom options and accessories available. Please consult factory

Series	Lamp Wattage	Voltage	Color Temp	Accessories	Color
58 = 24" Round Pot-Top	200 = 200 W 250 = 250 W 300 = 300 W 400 = 400 W 500 = 500 W	UNV = Universal 480 = 480 V	830 = 3000°K 841 = 4100°K 850 = 5000°K * * Standard	LD = Light Sensor /Photocell MD = Motion Sensor Detector	BRZ = Dark Bronze * Custom Colors Available



### PRODUCT INFORMATION

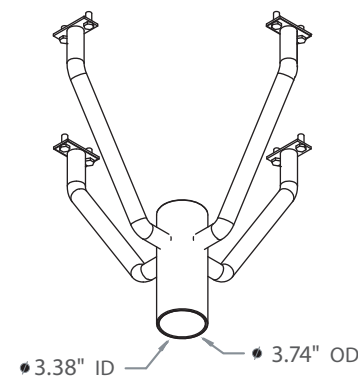
Model No.	Description	Rated Watts	Input Watts	Initial Lumens	Universal Line Voltage (VAC)	Max Line Current (Amp)	THD	Power Factor	Weight
58200	24" Round Post-Top Fixture	200	210	16,000	120-277	1.75-0.75	<10%	0.98	70 lbs
58250	24" Round Post-Top Fixture	250	262	20,000	120-277	2.18-0.94	<10%	0.98	70 lbs
58300*	24" Round Post-Top Fixture	300	315	24,000	120-277	2.62-1.13	<10%	0.98	75 lbs
58400*	24" Round Post-Top Fixture	400	420	32,000	120-277	3.50-1.51	<10%	0.98	75 lbs
58500*	24" Round Post-Top Fixture	500	525	40,000	120-277	4.37-1.89	<10%	0.98	75 lbs

\* Features dual bulbs & ballasts

### SPECIFICATIONS

- Ballast Type ..... Electronic
- Start Method ..... InstantON
- Hot Re-start ..... InstantON
- Universal Input Line Voltage ..... 120-277 VAC
- Input Line Frequency ..... 50/60 Hz
- Lamp Operating Frequency ..... 250 kHz
- Ballast Off-State Draw ..... 0 Watts
- Sound Rating ..... Class A
- ANSI Surge Protection ..... Class A
- Lamp / Ballast System Life ..... 100,000 Hrs.
- Lumen Maintenance @75,000Hrs ..... > 70%
- Color Temperature ..... 5000°K
- Color Rendering Index (CRI) ..... 83
- Minimum Starting Temperature ..... -20°F
- Maximum Starting Temperature ..... 160°F
- Initial Lumens per Watt ..... 80
- Shock / Vibration Resistant ..... Yes
- Power Factor ..... > 0.98
- Total Harmonic Distortion ..... < 10%
- Inrush Current Peak ..... < 10 Amp
- ETL Listed / UL Standard 1598 ..... Yes
- FCC Compliance ..... Part 18, Subp. C
- EPA Rating ..... 2.0
- IP Rating ..... IP65
- Warranty ..... 10 Year

### MOUNTING OPTIONS



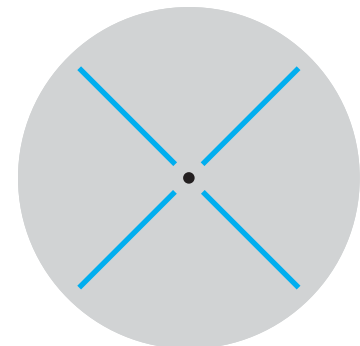
Accepts up to 3.15" O.D. Round Tenon or Pole

IOP-RPTR (contact factory)



Round Pole Tenon Reducers available for 4" & 5" O.D. Poles

### PHOTOMETRICS (See Complete IES File)



Type V Distribution