

Incredible **100,000 hrs**

### GENERAL DESCRIPTION

Neptun's Induction 25" Aluminum High-Bay fixtures combine architectural design and versatility to make it an excellent choice for new construction or retrofit applications. The 25" housing features a drop polycarbonate lens for increased light spread. It is offered in a variety of wattages to provide maximum flexibility in all types of applications. It can replace existing HID & HPS fixtures up to 1000W.

### APPLICATION

- Warehouse Lighting
- Factory Lighting
- Retail Lighting
- Showroom Lighting
- Grocery Store Lighting
- Area & Storage Lighting
- Gymnasium Lighting

### STRUCTURE, MATERIALS, & FEATURES

- 25" high reflectance Fluted Aluminum hood.
- Corrosion resistant die-cast aluminum gear box with white electrocoat finish.
- High efficiency, heat and impact resistant, UV protected, non yellowing polycarbonate drop lens included.
- Inductively coupled circular induction bulb.
- High power factor, low THD electronic ballast with surge protection.
- Instant-On flicker-free Cold Start and Hot Re-Start.
- High quality glare-free light with high CRI above (83).
- Bright white light (5000°K) for greater visibility and safety.
- Advance phosphors for high lumen output and high lumen maintenance.
- Up to 20 year maintenance free operation.
- 10 Year Warranty.
- **Optional:** Bi-Level Dimming, 0-10V Dimming, Remote Monitoring and ON/ OFF Control.

### ORDERING INFORMATION

Sample Number: 25200-FR-UNV-BL-DIM-850-MD-PL-C3  
 Custom options and accessories available. Please consult factory

Series	Wattage	Reflector	Voltage	Options	Color Temp	Accessories	Options
25 = 25" High-Bay	200 = 200 W 250 = 250 W 300 = 300 W 400 = 400 W 500 = 500 W	FR = Fluted Aluminum	UNV = 120-277 VAC 347V = 347 VAC 480V = 480 VAC	BL-DIM = Bi-Level Dimming 0-10VDIM = 0-10V Dimming	830 = 3000°K 841 = 4100°K 850 = 5000°K * * Standard	MD = Motion Detector DLH = Day Light Harvest Sensor	PL* = Polycarbonate Lens C3* = 3' Cord-No Plug (other lengths available by specifying cord length C6 = 6' cord) PC3 = 3' Cord with NEMA Plug (verify plug type when ordering) * Standard



### PRODUCT INFORMATION

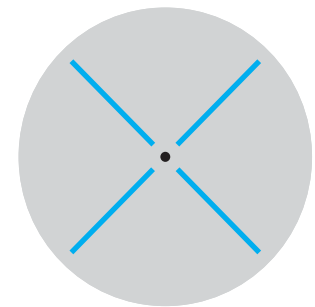
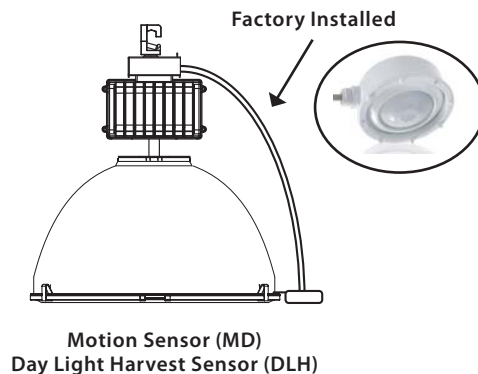
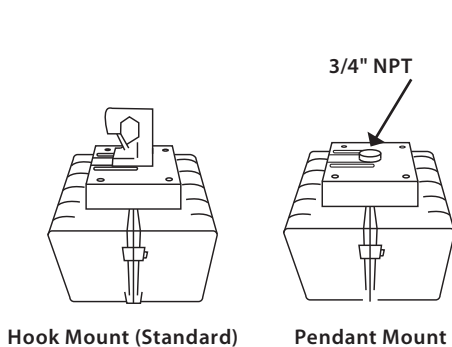
Model No.	Description	Rated Watts	Input Watts	Initial Lumens	Universal Line Voltage (VAC)	Max Line Current (Amp) @ 120 - 277	THD	Power Factor	Weight
25200-FR-UNV	25" High-Bay Fixture	200	210	16,000	120-277	1.75-0.75	<10%	0.98	38 lbs
25250-FR-UNV	25" High-Bay Fixture	250	262	20,000	120-277	2.18-0.94	<10%	0.98	38 lbs
25300-FR-UNV*	25" High-Bay Fixture	300	315	24,000	120-277	2.62-1.31	<10%	0.98	40 lbs
25400-FR-UNV*	25" High-Bay Fixture	400	420	32,000	120-277	3.50-1.51	<10%	0.98	40 lbs
25500-FR-UNV*	25" High-Bay Fixture	500	525	40,000	120-277	4.37-1.89	<10%	0.98	40 lbs

\* Features dual bulbs & ballasts

### SPECIFICATIONS

- Ballast Type ..... Electronic
- Start Method ..... InstantON
- Hot Re-start ..... InstantON
- Universal Input Line Voltage ..... 120-277 VAC
- Input Line Frequency ..... 50/60 Hz
- Lamp Operating Frequency ..... 250 kHz
- Ballast Off-State Draw ..... 0 Watts
- Sound Rating ..... Class A
- ANSI Surge Protection ..... Class A
- Lamp / Ballast System Life ..... 100,000 Hrs.
- Lumen Maintenance @75,000Hrs ..... > 70%
- Color Temperature ..... 5000°K
- Color Rendering Index (CRI) ..... 83
- Minimum Starting Temperature ..... -20°F
- Maximum Starting Temperature ..... 160°F
- Lumens per Watt ..... 80
- Shock / Vibration Resistant ..... Yes
- Power Factor ..... > 0.98
- Total Harmonic Distortion ..... < 10%
- Inrush Current Peak ..... < 10 Amp
- ETL Listed / UL Standard 1598 ..... Yes
- FCC Compliance ..... Part 18, Subp. C
- IP Rating ..... IP43
- Warranty ..... 10 Year

### MOUNTING OPTIONS



### PHOTOMETRICS (See Complete IES File)