

Incredible **100,000 hrs**

GENERAL DESCRIPTION

Neptun's Induction 25" polycarbonate High/Low-Bay fixtures combine architectural design and versatility to make it an excellent choice for new construction or retrofit applications. The gum-drop polycarbonate refractor adds excellent horizontal and vertical light dispersion. It can replace existing HID & HPS fixtures up to 400W.

APPLICATION

- Warehouse Lighting
- Factory Lighting
- Retail Lighting
- Showroom Lighting
- Grocery Store Lighting
- Area & Storage Lighting
- Gymnasium Lighting

STRUCTURE, MATERIALS, & FEATURES

- 25" high efficiency, heat and impact resistant, UV protected, non yellowing polycarbonate gumdrop refractor.
- Corrosion resistant die-cast aluminum gear box with white electrocoat finish.
- Inductively coupled circular induction bulb.
- High power factor, low THD electronic ballast with surge protection.
- Instant-On flicker-free Cold Start and Hot Re-Start.
- High quality glare-free light with high CRI above (83).
- Bright white light (5000°K) for greater visibility and safety.
- Advance phosphors for high lumen output and high lumen maintenance.
- Up to 20 year maintenance free operation.
- 10 Year Warranty.

ORDERING INFORMATION

Sample Number: 125100-LB-UNV-850-MD-C3
 Custom options and accessories available. Please consult factory

Series	Lamp Wattage	Reflector Type	Voltage	Color Temp	Accessories	Options
25 = High/Low Bay	100 = 100 W 120 = 120 W 150 = 150 W 200 = 200 W 250 = 250 W	LB = Low Bay	UNV = 120-277 VAC 347V = 347 VAC 480V = 480 VAC	830 = 3000°K 841 = 4100°K 850 = 5000°K * * Standard	LD-120V = Photocell for 120V LD-277V = Photocell for 277V MD = Motion Sensor Detector	C3* = 3' Cord-No Plug (other lengths available by specifying cord length C6 = 6' cord) PC3 = 3' Cord with NEMA Plug (verify plug type when ordering) * Standard



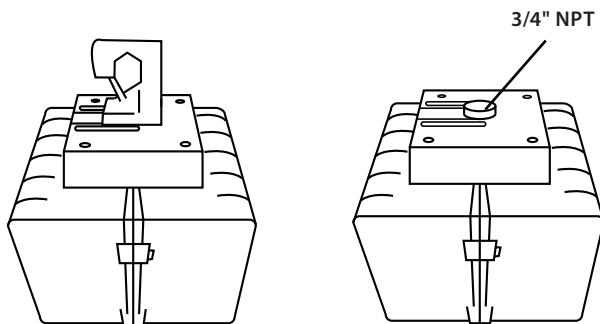
PRODUCT INFORMATION

Model No.	Description	Rated Watts	Input Watts	Initial Lumens	Universal Line Voltage (VAC)	Max Line Current (Amp) @ 120 - 277	THD	Power Factor	Weight
25100-LB-UNV	25" Low-Bay Fixture	100	105	8,000	120-277	0.87-0.37	<10%	0.98	30 lbs
25120-LB-UNV	25" Low-Bay Fixture	120	125	9,600	120-277	1.05-0.45	<10%	0.98	30 lbs
25150-LB-UNV	25" Low-Bay Fixture	150	158	12,000	120-277	1.31-0.56	<10%	0.98	30 lbs
25200-LB-UNV	25" Low-Bay Fixture	200	210	16,000	120-277	1.75-0.75	<10%	0.98	32 lbs
25250-LB-UNV	25" Low-Bay Fixture	250	262	20,000	120-277	2.18-0.94	<10%	0.98	32 lbs

SPECIFICATIONS

- Ballast Type Electronic
- Start Method InstantON
- Hot Re-start InstantON
- Universal Input Line Voltage 120-277 VAC
- Input Line Frequency 50/60 Hz
- Lamp Operating Frequency 250 kHz
- Ballast Off-State Draw 0 Watts
- Sound Rating Class A
- ANSI Surge Protection Class A
- Lamp / Ballast System Life 100,000 Hrs.
- Lumen Maintenance @75,000Hrs > 70%
- Color Temperature 5000°K
- Color Rendering Index (CRI) 83
- Minimum Starting Temperature -20°F
- Maximum Starting Temperature 160°F
- Lumens per Watt 80
- Shock / Vibration Resistant Yes
- Power Factor > 0.98
- Total Harmonic Distortion < 10%
- Inrush Current Peak < 10 Amp
- ETL Listed / UL Standard 1598 Yes
- FCC Compliance Part 18, Subp. C
- IP Rating IP43
- Warranty 10 Year

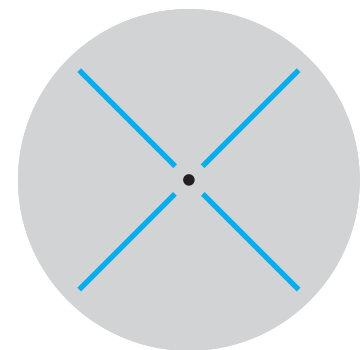
MOUNTING OPTIONS



Hook Mount (Standard)

Pendant Mount

PHOTOMETRICS (See Complete IES File)



Type V Distribution