

Incredible **100,000 hrs**

## GENERAL DESCRIPTION

Neptun's Hazardous Location Induction fixtures combines classic form and versatility to make it an excellent choice for new construction or retrofit applications. The 102 series fixture is offered in a variety of wattages to provide maximum flexibility in all many applications. It can replace existing HID fixtures up to 175W.

## APPLICATION

- Security Lighting
- Industrial Lighting
- Harbor Lighting
- Processing Plant Lighting
- Area Lighting

## STRUCTURE, MATERIALS, & FEATURES

- Heavy-gauge, die-cast aluminum housing.
- Custom designed anodized aluminum reflectors for superior illuminance.
- Heat and impact resistant fluted glass lens.
- Corrosion resistant electrocoat gray finish (custom colors available).
- Hinged aluminum door frame incorporates stainless steel hardware.
- Continuous silicone gasketing surrounds lens for weather - tight seal.
- Inductively coupled circular induction bulb.
- High power factor, low THD electronic ballast.
- Instant-On flicker-free Cold Start and Hot Re-Start.
- High quality glare-free light with high CRI above (83).
- Bright white light (5000°K) for greater visibility and safety.
- Advance phosphors for high lumen output and high lumen maintenance.
- Up to 20 year maintenance free operation.
- 10 Year Warranty.

## ORDERING INFORMATION

Sample Number: 102040-UNV-850-GRY  
Custom options and accessories available. Please consult factory

Series	Lamp Wattage	Voltage	Color Temp	Color
<b>102</b> = Hazardous Locations	<b>040</b> = 40 W <b>080</b> = 80 W <b>100</b> = 100 W	<b>UNV</b> = 120-277 VAC	<b>830</b> = 3000°K <b>841</b> = 4100°K <b>850</b> = 5000°K* * Standard	<b>GRY</b> = Gray * Custom Colors Available



### PRODUCT INFORMATION

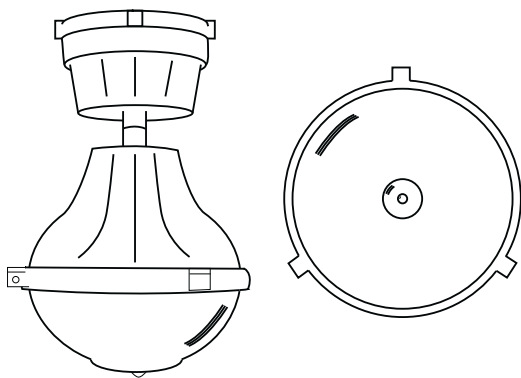
Model No.	Description	Rated Watts	Input Watts	Initial Lumens	Universal Line Voltage (VAC)	Max Line Current (Amp) @ 120 - 277	THD	Power Factor	Weight
102040-UNV	Hazardous Location Fixture	40	41	3,200	120-277	0.34-0.15	<10%	0.98	16 lbs
102080-UNV	Hazardous Location Fixture	80	82	5,600	120-277	0.72-0.30	<10%	0.98	16 lbs
102100-UNV	Hazardous Location Fixture	100	105	8,000	120-277	0.87-0.37	<10%	0.98	16 lbs

### SPECIFICATIONS

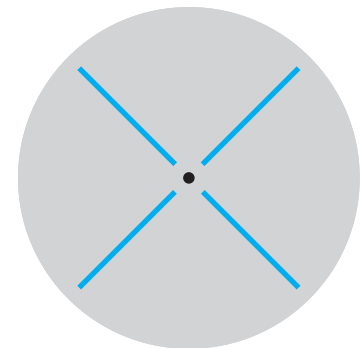
- Ballast Type ..... Electronic
- Start Method ..... InstantON
- Hot Re-start ..... InstantON
- Universal Input Line Voltage ..... 120-277 VAC
- Input Line Frequency ..... 50/60 Hz
- Lamp Operating Frequency ..... 250 kHz
- Ballast Off-State Draw ..... 0 Watts
- Sound Rating ..... Class A
- ANSI Surge Protection ..... Class A
- Lamp / Ballast System Life ..... 100,000 Hrs.
- Lumen Maintenance @75,000Hrs ..... > 70%
- Color Temperature ..... 5000°K
- Color Rendering Index (CRI) ..... 83
- Minimum Starting Temperature ..... -20°F
- Maximum Starting Temperature ..... 160°F
- Lumens per Watt ..... 80
- Shock / Vibration Resistant ..... Yes
- Power Factor ..... > 0.98
- Total Harmonic Distortion ..... < 10%
- Inrush Current Peak ..... < 10 Amp
- ETL Listed / UL Standard 1598 ..... Yes
- FCC Compliance ..... Part 18, Subp. C
- IP Rating ..... IP65
- Warranty ..... 10 Year

### MOUNTING OPTIONS

Ceiling Mount



### PHOTOMETRICS (See Complete IES File)



Type V Distribution