

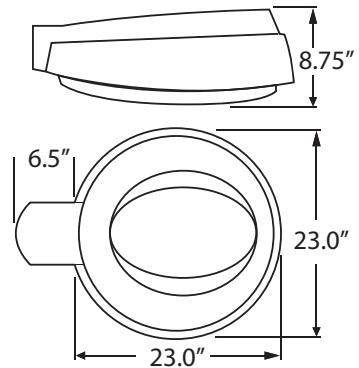
INDUCTION - Round Parking Lot Light Fixtures

100,000 Hrs Life

The Next Generation of Lighting



Oval Induction Lamp
Inside



Specification:

- Ballast Type	Electronic
- Start Method	InstantON
- Hot Re-start	InstantON
- Universal Input Line Voltage	120-277 VAC
- Input Line Frequency	50/60 Hz
- Lamp/Ballast System Life	100,000 Hrs.
- Lumen Maintenance @60,000Hrs	>70%
- Color Temperature	5000°K
- Color Rendering Index (CRI)	83
- Minimum Starting Temperature	-20°F
- Maximum Operating Temperature	160°F
- Lamp Operating Frequency	250 kHz
- Power Factor	> 0.98
- Total Harmonic Distortion	< 10%
- Inrush Current Peak	< 10 Amp
- FCC Compliance	Part 18, Subp. C

Applications, Features, and Benefits

- Low Light Pollution (LLP) design - FULL CUT OFF
- Heat and impact resistant tempered glass
- Die-cast aluminum housing with electrocoat gray paint
- Ballast made with long life components
- InstantON(TM) flicker-free Cold Start and Hot Re-Start
- Correlated Color Temperature of 5000°K for greater visibility
- High Power Factor, Low THD Replaceable Ballast
- Concealed continuous gasket seals against harmful dust, dirt, moisture and insects
- External stainless steel latches for easy maintenance
- Advanced phosphors for high Lumen Maintenance and high lumen output
- Aluminum Anodized reflectors for superior long term performance
- Up to 20 years Maintenance free operation
- Light Sensor Detector (LD) for Dusk-to-Dawn ON/OFF control - optional
- 10 Year Warranty

Product Information

Item No.	Description	Watts	Initial Lumens	Line Voltage Supply	Line Current	Total Harmonic Distortion (THD)	Power Factor	Packaging Dimensions		
								Width	Length	Height
41080	Round Parking Fixture	80	6,400	120-277 VAC	0.69-0.30 Amp	<10%	0.98	28.0 in. 650mm	35.0 in. 889mm	12.0 in. 300 mm
41100	Round Parking Fixture	100	8,000	120-277 VAC	0.87-0.37Amp	<10%	0.98	28.0 in. 650mm	35.0 in. 889mm	12.0 in. 300 mm

Fixture Weight = 35 lbs.

Ordering Information

(SAMPLE NUMBER : 41080-UNV-LD-GRY)

Series 41 = Round Parking Lot Fixture	Wattage 080 = 80W 100 = 100W	Voltage UNV = Universal 480 = 480V	Accessories LD = Light Sensor / Photocell	Color GRY = Gray * custom colors available
---	---	---	---	---