

Incredible **100,000 hrs**

GENERAL DESCRIPTION

Neptun's Induction Round Post-top fixtures combines architectural form and versatility to make it an excellent choice for new construction or retrofit applications. The 35 series post-top fixture is offered in a variety of wattages to provide maximum flexibility in all types of applications. It can replace existing HID fixtures up to 400W.

APPLICATION

- Parking Lot Lighting
- Car Lot Lighting
- Area & Storage Lighting
- Street Lighting
- Walkway Lighting

STRUCTURE, MATERIALS, & FEATURES

- Heavy-gauge, die-cast aluminum housing.
- Custom designed anodized aluminum reflectors for superior illuminance.
- Heat and impact resistant tempered bubbled glass lens.
- 3" I.D. Slip Fitter Accepts up to 2-7/8" Pipe or Tenon. (hardware included)
- Corrosion resistant electrocoat dark bronze finish. (custom colors available)
- Aluminum door frame incorporates stainless steel hardware.
- Continuous silicone gasketing surrounds lens for weather-tight seal.
- Inductively coupled circular induction bulb.
- High power factor, low THD electronic ballast.
- Instant-On flicker-free Cold Start and Hot Re-Start.
- High quality glare-free light with high CRI above (83).
- Bright white light (5000°K) for greater visibility and safety.
- Advance phosphors for high lumen output and high lumen maintenance.
- Up to 20 year maintenance free operation.
- 10 Year Warranty.

ORDERING INFORMATION

Sample Number: 35080-UNV-850-LD-BRZ
 Custom options and accessories available. Please consult factory

| Series | Lamp Wattage | Voltage | Color Temp | Accessories | Color |
|--------------------|--|--------------------------------|--|---|--|
| 35 = Round Pot-Top | 080 = 80 W 100 = 100 W 120 = 120 W 150 = 150 W 200 = 200 W | UNV = Universal 480 = 480 V | 830 = 3000°K 841 = 4100°K 850 = 5000°K * * Standard | LD = Light Sensor /Photocell MD = Motion Sensor Detector | BRZ = Dark Bronze * Custom Colors Available |



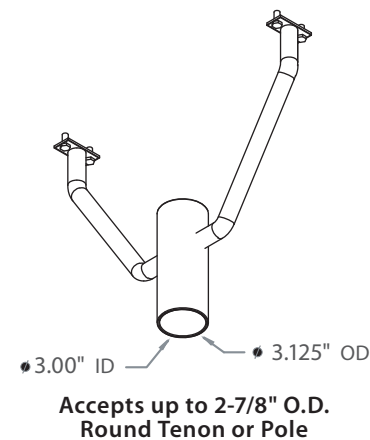
PRODUCT INFORMATION

| Model No. | Description | Rated Watts | Input Watts | Initial Lumens | Universal Line Voltage (VAC) | Max Line Current (Amp) | THD | Power Factor | Weight |
|-----------|------------------------|-------------|-------------|----------------|------------------------------|------------------------|------|--------------|--------|
| 35080 | Round Post-Top Fixture | 80 | 82 | 6,400 | 120-277 | 0.69-0.30 | <10% | 0.98 | 45 lbs |
| 35100 | Round Post-Top Fixture | 100 | 105 | 8,000 | 120-277 | 0.87-0.37 | <10% | 0.98 | 45 lbs |
| 35120 | Round Post-Top Fixture | 120 | 125 | 9,600 | 120-277 | 1.05-0.45 | <10% | 0.98 | 45 lbs |
| 35150 | Round Post-Top Fixture | 150 | 158 | 12,000 | 120-277 | 1.31-0.56 | <10% | 0.98 | 46 lbs |
| 35200 | Round Post-Top Fixture | 200 | 210 | 16,000 | 120-277 | 1.75-0.75 | <10% | 0.98 | 46 lbs |

SPECIFICATIONS

- Ballast Type Electronic
- Start Method InstantON
- Hot Re-start InstantON
- Universal Input Line Voltage 120-277 VAC
- Input Line Frequency 50/60 Hz
- Lamp Operating Frequency 250 kHz
- Ballast Off-State Draw 0 Watts
- Sound Rating Class A
- ANSI Surge Protection Class A
- Lamp / Ballast System Life 100,000 Hrs.
- Lumen Maintenance @75,000Hrs > 70%
- Color Temperature 5000°K
- Color Rendering Index (CRI) 83
- Minimum Starting Temperature -20°F
- Maximum Starting Temperature 160°F
- Initial Lumens per Watt 80
- Shock / Vibration Resistant Yes
- Power Factor > 0.98
- Total Harmonic Distortion < 10%
- Inrush Current Peak < 10 Amp
- ETL Listed / UL Standard 1598 Yes
- FCC Compliance Part 18, Subp. C
- EPA Rating 1.30
- IP Rating IP65
- Warranty 10 Year

MOUNTING OPTIONS

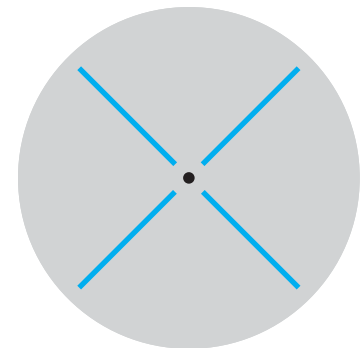


IOP-RPTR (contact factory)



Round Pole Tenon Reducers available for 4" & 5" O.D. Poles

PHOTOMETRICS (See Complete IES File)



Type V Distribution