

Incredible **100,000 hrs**

GENERAL DESCRIPTION

Neptun's 14" Flood Type Wall Pack fixtures feature classic form and durability to make it an excellent choice for new construction or retrofit applications. Neptun's Induction Wall Pack fixtures feature a high CRI and bright white 5000°K color temperature for increased safety and security. They can replace existing HID fixtures up to 100 Watts.

APPLICATION

- Building Accent Lighting
- Landscape Lighting
- Security Lighting
- Parking Lot Lighting
- Area Lighting
- Storage Area Lighting

STRUCTURE, MATERIALS, & FEATURES

- Heavy-gauge, die-cast aluminum housing.
- Custom designed anodized aluminum reflectors for superior illuminance.
- Heat and impact resistant borosilicate glass lens.
- Corrosion resistant electrocoat dark bronze finish (custom colors available).
- Hinged aluminum door frame incorporates stainless steel hardware.
- Continuous silicone gasketing surrounds lens for weather - tight seal.
- Inductively coupled rectangular induction bulb.
- High power factor, low THD electronic ballast.
- Instant-On flicker-free Cold Start and Hot Re-Start.
- High quality glare-free light with high CRI above (83).
- Bright white light (5000°K) for greater visibility and safety.
- Advance phosphors for high lumen output and high lumen maintenance.
- Up to 20 year maintenance free operation.
- 10 Year Warranty

ORDERING INFORMATION

Sample Number: 21040FLD-UNV-850-LD-120-BRZ
 Custom options and accessories available. Please consult factory

| Series | Lamp Wattage | Lens Type | Voltage | Color Temp | Accessories | Color |
|----------------|--------------|------------------|-------------------|--------------------------------------------------------------|---------------------------------------------------------------------------------------------|------------------------------------------------|
| 21 = Wall Pack | 040 = 40 W | FLD = Flood Type | UNV = 120-277 VAC | 830 = 3000°K 841 = 4100°K 850 = 5000°K * * Standard | LD-120V = Photocell for 120V LD-277V = Photocell for 277V MD = Motion Sensor Detector | BRZ = Dark Bronze * Custom Colors Available |



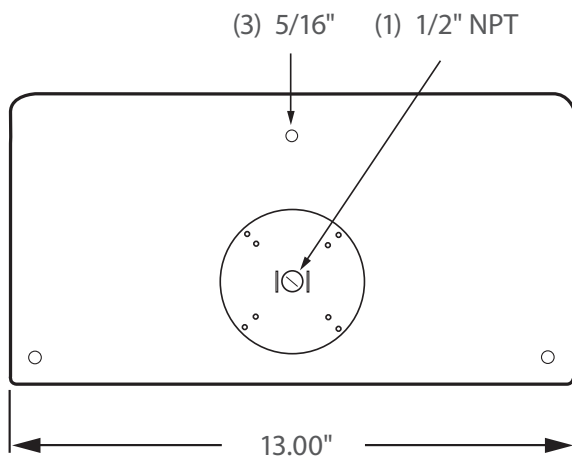
PRODUCT INFORMATION

| Model No. | Description | Rated Watts | Input Watts | Initial Lumens | Universal Line Voltage (VAC) | Max Line Current (Amp) | THD | Power Factor | Weight |
|-----------|---------------------------|-------------|-------------|----------------|------------------------------|------------------------|------|--------------|--------|
| 21040-FLD | Wall Pack - Flood Fixture | 40 | 41 | 3,200 | 120-277 | 0.35-0.15 | <10% | 0.98 | 15 lbs |

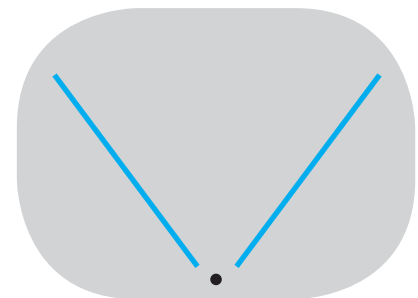
SPECIFICATIONS

- Ballast Type Electronic
- Start Method InstantON
- Hot Re-start InstantON
- Universal Input Line Voltage 120-277 VAC
- Input Line Frequency 50/60 Hz
- Lamp Operating Frequency 250 kHz
- Ballast Off-State Draw 0 Watts
- Sound Rating Class A
- ANSI Surge Protection Class A
- Lamp / Ballast System Life 100,000 Hrs.
- Lumen Maintenance @75,000Hrs > 70%
- Color Temperature 5000°K
- Color Rendering Index (CRI) 83
- Minimum Starting Temperature -20°F
- Maximum Starting Temperature 160°F
- Lumens per Watt 80
- Shock / Vibration Resistant Yes
- Power Factor > 0.98
- Total Harmonic Distortion < 10%
- Inrush Current Peak < 10 Amp
- ETL Listed / UL Standard 1598 Yes
- FCC Compliance Part 18, Subp. C
- IP Rating IP65
- Warranty 10 Year

MOUNTING OPTIONS



PHOTOMETRICS (See Complete IES File)



Type IV Distribution