

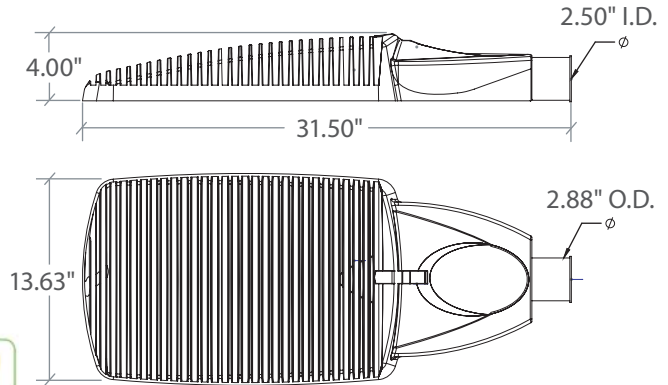
Please check latest update for complete information.  
[http://www.designlights.org/solidstate.about.QualifiedProductsList\\_Publicv2.php](http://www.designlights.org/solidstate.about.QualifiedProductsList_Publicv2.php)



\*\* AVAILABLE \*\*

Bi-Level Dimming  
 100% 50%

0 - 10V  
 FULL DIMMING



Incredible **75,000 hrs**

## GENERAL DESCRIPTION

Neptun's Kometa™ LED Roadway fixtures combine architectural form and versatility to make it an excellent choice for new construction or retrofit applications. The Kometa fixture is offered in a variety of wattages to provide maximum flexibility in all types of applications. The 150 PCS High output LED's and custom engineered optics provide excellent uniformity and efficiency. Used in applications replacing up to 400W HID & HPS Fixtures on Major Roadways & Highways.

## APPLICATION

- Street Lighting
- Roadway Lighting
- Highway Lighting

## STRUCTURE, MATERIALS, & FEATURES

- Heavy-gauge, die-cast aluminum housing with cooling fins.
- Corrosion resistant electrocoat grey finish (custom colors available).
- Slim, state of the art, low profile design for minimum wind load resistance.
- Heat and impact resistant tempered flat glass lens. (IESNA full-cutoff)
- Tool less entry gear box for easy maintenance and installation.
- Continuous silicone gasket surrounds lens for IP66 weather tight seal.
- Optional NEMA Twist lock Photocell for increased energy savings.
- High Output Cree LED's.
- Driver with built in Neptun Surge Protective Device (NSPD) provides single phase protection for Line/Neutral, Line/Ground, and Neutral/Ground in accordance with IEEE C62.41 C High (10kV & 10kA).
- InstantON flicker-free Cold Start and Hot Re-Start.
- Up to 15 years Maintenance free operation.
- 5 Year Warranty on complete fixture. (LED's, Driver, & Housing)
- **Optional:** 0-10V Dimming, Bi-Level Dimming, Remote Monitoring and ON/OFF Control, DC 24V Operation - Solar Compatible

## ORDERING INFORMATION

Sample Number: LED-452100-UNV-0-10VDIM-750-LD-T2A-GRY  
 Custom options and accessories available. Please consult factory

Series	Wattage	Voltage	Options	Color Temp	Accessories	Optics	Color
LED-452 = Street Light	100 = 100 W 110 = 110 W 120 = 120 W 130 = 130 W 140 = 140 W 150 = 150 W 160 = 160 W	UNV = 120-277 VAC 347V = 347 VAC 480V = 480 VAC 24VDC = 24 VDC	0-10VDIM = 0-10V Dimming BL-DIM = Bi-Level Dimming * * Includes Motion Sensor * Contact factory for dimming options	735 = 3500°K 741 = 4100°K 750 = 5000°K * * Standard	LD = NEMA Photocell MD = Motion Sensor ON/OFF LGN = Light Genie Node ** ** Contact factory for product information	T2A = Type 2 Asymmetrical T3A = Type 3 Asymmetrical	GRY = Grey * Custom Colors Available



### PRODUCT INFORMATION

Model No.	Description	Rated Watts	Input Watts	Initial Lumens	Universal Line Voltage (VAC)	Max Line Current (Amp) 120 - 277	THD	Power Factor	Weight
LED-452100-UNV	LED Roadway Fixture	100	102	8,000	120-277	0.87 - 0.37	<20%	>0.90	32 lbs
LED-452110-UNV	LED Roadway Fixture	110	112	8,800	120-277	0.96 - 0.41	<20%	>0.90	32 lbs
LED-452120-UNV	LED Roadway Fixture	120	122	9,600	120-277	1.05 - 0.45	<20%	>0.90	32 lbs
LED-452130-UNV	LED Roadway Fixture	130	132	10,400	120-277	1.13 - 0.49	<20%	>0.90	32 lbs
LED-452140-UNV	LED Roadway Fixture	140	142	11,200	120-277	1.22 - 0.53	<20%	>0.90	32 lbs
LED-452150-UNV	LED Roadway Fixture	150	152	12,400	120-277	1.31 - 0.56	<20%	>0.90	32 lbs
LED-452160-UNV	LED Roadway Fixture	160	162	13,900	120-277	1.39 - 0.60	<20%	>0.90	32 lbs

### SPECIFICATIONS

- Driver ..... Constant Current
- Start Method ..... InstantON
- Hot Re-start ..... InstantON
- Power Supply ..... 350mA
- Driver UL Rating ..... Class 1
- Driver UL Outdoor Rated ..... Wet Location
- Sound Rating ..... Class A
- ANSI Surge Protection ..... IEEE C62.41 C High
- Current Crest Factor ..... 1.5 maximum
- Load Regulation: 5% output current variation across load range
- Line Regulation: 1% output voltage variation across voltage range
- Driver Off-State Draw ..... 0 Watts
- Vibration Compliance ..... 3G
- Universal Input Line Voltage ..... 120-277 VAC
- Input Line Frequency ..... 50/60 Hz
- LED / Driver System Life ..... 75,000 Hrs.
- Lumen Maintenance @50,000Hrs ..... > 70%
- Color Temperature ..... 5,000°K
- Color Rendering Index (CRI) ..... > 80
- Minimum Starting Temperature ..... -40°C
- Maximum Starting Temperature ..... +50°C
- Lumens per Watt ..... > 90
- Shock / Vibration Resistant ..... Yes
- Power Factor ..... > 0.90
- Total Harmonic Distortion ..... < 20%
- Inrush Current Peak ..... < 10 Amp
- FCC Compliance ..... Part 15, Subp. C
- ETL Listed / UL Standard 1598 ..... Yes
- EPA Rating ..... 0.86 ft.<sup>2</sup>
- Housing IP Rating ..... IP65
- Driver IP Rating ..... IP67
- Optics IP Rating ..... IP68
- Warranty ..... 10 Year

### MOUNTING OPTIONS

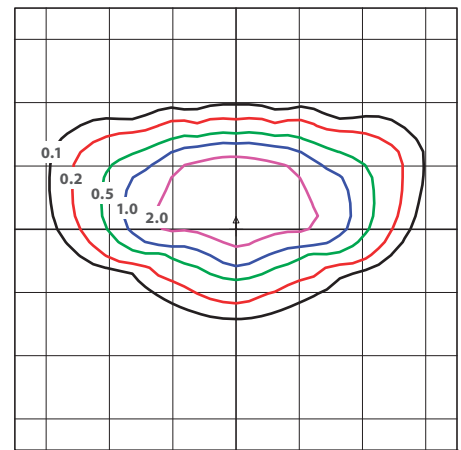


Accepts  
1-1/4" - 2-3/8" O.D.  
Tenon or Pipe



(2) 5-16" Stainless Steel Bolts

### PHOTOMETRICS (See Complete IES File)



Horizontal Footcandles  
Scale: 1 Hash = 30 Ft.  
Light Loss Factor = 1.00  
Total Lamp Lumens = 14281.5  
Mounting Height = 30.00 Ft., Tilt = 5 Degrees  
Maximum Calculated Value = 4.08 Fc  
Arrangement: Single

NEPTUN LIGHT, INC.  
LED-452160-UNV-850-T3A

Neptun Light, Inc. reserves the right to change materials or modify the design of its product without notification as part of the company's continuing product improvement program.  
©2002-2013 Neptun Light, Inc. All rights reserved. Spec. Rev. 1-2015