

REPLACEMENT FOR 1000W HID

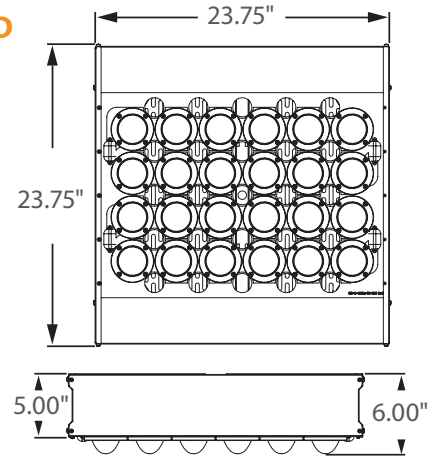


Please check latest update for complete information.
http://www.designlights.org/solidstate.about.QualifiedProductsList_Publicv2.php

** AVAILABLE **

Bi-Level Dimming
 100% 50%

0 - 10V
 FULL DIMMING



Incredible **75,000 hrs**

GENERAL DESCRIPTION

Neptun's High Power LED High-Bay fixtures combine architectural form and versatility to make it an excellent choice for new construction or retrofit applications. The COB lensed optics with various beam spread options allow for use in very high ceiling applications. It can replace existing HID & HPS fixtures up to 1000W.

APPLICATION

- Warehouse Lighting
- Factory Lighting
- Convention Center Lighting
- Retail Lighting
- Showroom Lighting
- Area & Storage Lighting
- Gymnasium Lighting

STRUCTURE, MATERIALS, & FEATURES

- Die cast aluminum housing with internal finned construction.
- Corrosion resistant electrocoat white finish (custom colors available).
- High Output COB LED's with sealed optics (IP68 rated).
- High power factor, low THD driver with 10kV Surge Protection.
- High performance Thermal Management system.
- Instant-On flicker-free Cold Start and Hot Re-Start.
- Bright white light (5000°K) for greater visibility and safety.
- Up to 15 year maintenance free operation.
- 10 Year Warranty on complete fixture. (LED's, Driver, & Housing)
- **Optional:** Bi-Level Dimming, 0-10V Dimming, Wi-Fi Control, Remote Monitoring and ON/ OFF Control

ORDERING INFORMATION

Sample Number: LED-LP15-480-UNV-BL-DIM-850-B45-MD-C3
 Custom options and accessories available. Please consult factory

Series	Wattage	Voltage	Options	Color Temp	Beam	Accessories	Options
LED-LP15 = LED Low Profile High-Bay	260 = 260 W 320 = 320 W 480 = 480 W	UNV = 120-277 VAC 347V = 347 VAC 480V = 480 VAC	0-10VDIM = 0-10V Dimming BL-DIM = Bi-Level Dimming * * Includes Motions Sensor ** Contact Factory for dimming options	835 = 3500°K 841 = 4100°K 850 = 5000°K * * Standard	B45 = 45° Beam B60 = 60° Beam B90 = 90° Beam B120 = 120° Beam	MD = Motion Sensor ON/OFF DLH = Day Light Harvesting (offered with 0-10V Dimming)* * Ask factory for complete ordering information.	C3* = 3' Cord-No Plug (other lengths available by specifying cord length C6 = 6' cord) PC3 = 3' Cord with NEMA Plug (verify plug type when ordering) HK = Hook Mount PDM = Pendant Mount * Standard



PRODUCT INFORMATION

Model No.	Description	Rated Watts	Input Watts	Initial Lumens	Universal Line Voltage (VAC)	Max Line Current (Amp) @ 120 - 277	THD	Power Factor	Weight
LED-LP15-260-UNV	LED High Bay Fixture	260	263	27,089	120-277	2.27 - 0.98	<20%	>0.90	50 lbs
LED-LP15-320-UNV	LED High Bay Fixture	320	323	31,654	120-277	2.79 - 1.21	<20%	>0.90	50 lbs
LED-LP15-480-UNV	LED High Bay Fixture	480	483	45,885	120-277	4.20 - 1.82	<20%	>0.90	50 lbs

SPECIFICATIONS

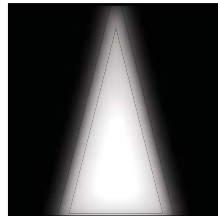
- Driver Constant Current
- Start Method InstantON
- Hot Re-start InstantON
- Power Supply 350mA
- Driver UL Rating Class 1
- Driver UL Outdoor Rated Wet Location
- Sound Rating Class A
- ANSI Surge Protection IEEE C62.41 C High
- Driver Off-State Draw 0 Watts
- Universal Input Line Voltage 120-277 VAC
- Input Line Frequency 50/60 Hz
- LED / Driver System Life 75,000 Hrs.
- Lumen Maintenance @50,000Hrs > 70%
- Color Temperature 5,000°K
- Color Rendering Index (CRI) > 80
- Beam Angle 45°/60°/90°/120°
- Minimum Starting Temperature -40°C
- Maximum Starting Temperature +50°C
- Lumens per Watt > 90
- Shock / Vibration Resistant Yes
- Power Factor > 0.90
- Total Harmonic Distortion < 20%
- Inrush Current Peak < 10 Amp
- FCC Compliance Part 15, Subp. C
- Housing IP Rating IP43
- Optics IP Rating IP68
- Driver IP Rating IP67
- Warranty 10 Year

LENS DESIGN

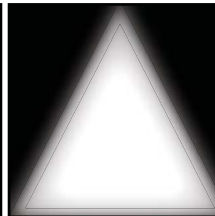


- COB Glass Lens Optics:**
- Offered in 4 beam spread options to adapt to specific mounting heights.
 - No yellowing or aging of lens.

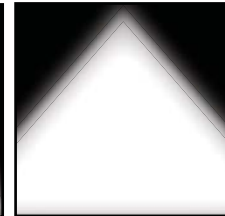
45° Beam



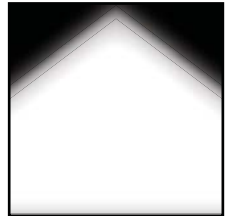
60° Beam



90° Beam

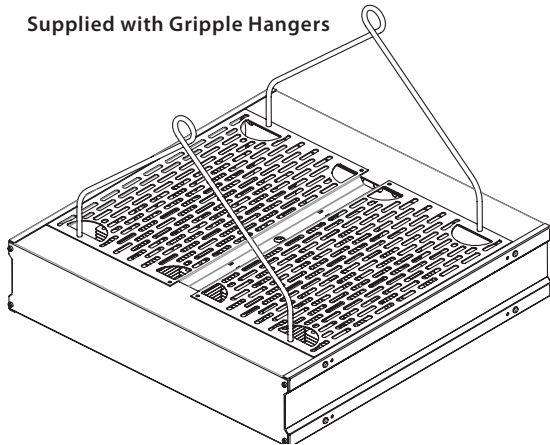


120° Beam



MOUNTING OPTIONS

Supplied with Gripple Hangers



PHOTOMETRICS (See Complete IES File)

