

** AVAILABLE **

0 - 10V
FULL DIMMING

Incredible **75,000 hrs**

GENERAL DESCRIPTION

Neptun's LED pendant canopy fixture features an architectural design and durability to be used in new construction or retrofit applications. The LED-132 series pendant fixture features excellent optics for increased visibility and security with horizontal and vertical foot-candles to evenly illuminate parking garages. Can replace existing HID & HPS canopy or parking garage fixtures up to 150 Watts.

APPLICATION

- Parking Garage Lighting
- Canopy Lighting
- Indoor Lighting
- Storage Lighting
- Retail Lighting

STRUCTURE, MATERIALS, & FEATURES

- Cast aluminum cooling fin heat sink for excellent thermal management.
- Heavy-gauge, die-cast aluminum gear box.
- High efficiency, heat and impact resistant, UV protected, non yellowing polycarbonate convex lens / refractor.
- Corrosion resistant electrocoat silver finish (custom colors available).
- Stainless steel hardware for easy removal lens.
- Continuous silicone gasket surrounds lens for weather - tight seal.
- High Output COB LED's.
- High power factor, low THD driver with 10kV Surge Protection.
- Instant-On flicker-free Cold Start and Hot Re-Start.
- Bright white light (5000°K) for greater visibility and safety.
- LED engine design with Advanced Thermal Management.
- Up to 15 year maintenance free operation.
- 5 Year Warranty on complete fixture. (LED's, Driver, & Housing)
- **Optional:** 0-10V Dimming, Bi-Level Dimming, Remote Monitoring and ON/ OFF Control, DC 24V Operation - Solar Compatible

ORDERING INFORMATION

Sample Number: LED-132040-UNV-0-10VDIM-850-ST6-SLV
Custom options and accessories available. Please consult factory

Series	Wattage	Voltage	Options	Color Temp	Pendant Length	Color
LED-132 = Pendant Canopy	040 = 40 W 050 = 50 W	UNV = 120-277 VAC 347V = 347 VAC 480V = 480 VAC 24VDC = 24 VDC	0-10VDIM = 0-10V Dimming ** Contact Factory for dimming options	835 = 3500°K 841 = 4100°K 850 = 5000°K * * Standard	ST6 = 6" in. pendant ST12 = 12" in. pendant ST18 = 18" in. pendant * Custom Lens Available	SLV = Silver * Custom Colors Available



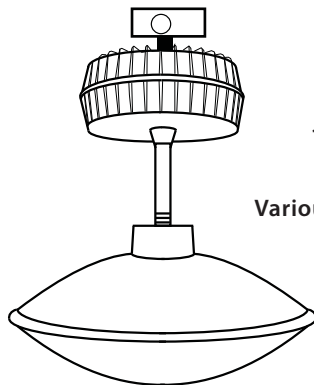
PRODUCT INFORMATION

Model No.	Description	Rated Watts	Input Watts	Initial Lumens	Universal Line Voltage (VAC)	Max Line Current (Amp) @ 120 - 277V	THD	Power Factor	Weight
LED-132040-UNV	LED Pendant Canopy	40	41	3,600	120-277	0.34 - 0.15	<20%	>0.90	20 lbs
LED-132050-UNV	LED Pendant Canopy	50	51	4,400	120-277	0.43 - 0.18	<20%	>0.90	20 lbs

SPECIFICATIONS

- LED Driver Constant Current
- Power Supply 350mA
- Driver UL Rating Class 1
- Driver UL Outdoor Rated Wet Location
- Start Method InstantON
- Hot Re-start InstantON
- Universal Input Line Voltage 120-277 VAC
- Input Line Frequency 50/60 Hz
- Ballast Off-State Draw 0 Watts
- Sound Rating Class A
- ANSI Surge Protection IEEE C62.41 C High
- LED / Driver System Life 75,000 Hrs.
- Lumen Maintenance @50,000Hrs > 70%
- Color Temperature 5000°K
- Color Rendering Index (CRI) > 80
- Minimum Starting Temperature -35°C
- Maximum Starting Temperature 40°C
- Lumens per Watt > 80
- Shock / Vibration Resistant Yes
- Power Factor > 0.90
- Total Harmonic Distortion < 20%
- Inrush Current Peak < 10 Amp
- ETL Listed / UL Standard 1598 Yes
- FCC Compliance Part 15, Subp. C
- IP Rating IP65
- Warranty 5 Year

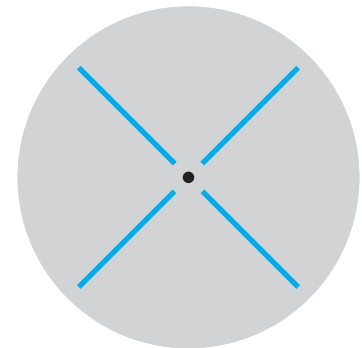
MOUNTING OPTIONS



Pendant Mount
to Standard
1900 Junction Box

Various Stem Sizes Available

PHOTOMETRICS (See Complete IES File)



Type V Distribution