

LEDSON SHOEBOX AREA LUMINAIRE

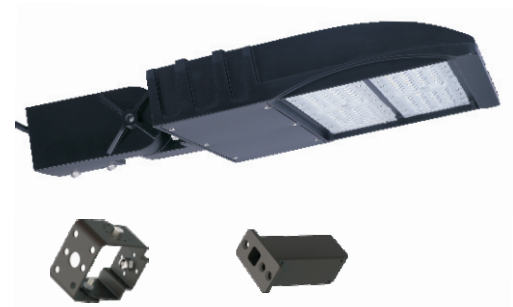


Project Information

Type _____

Name _____

Voltage _____



Product Description

LEDSON shoebox led luminaire has a beautiful low profile design intended for outdoor wall mounted applications, combines the latest in LED technology including weathertight Ip65 LED driver and thermal management. High-performance illumination that lasts 50,000HRS.It's ideal for replacing 150-1000W Metal Halide, with typical energy savings of 80%.

Applications

Parking Lot, Road Ways, Square Parks, Outdoor Lighting Area Lights etc.



Electric Characteristic

Specification/Model	LSESB60 SSXYA1	LSESB90 SSXYA1	LSESB120 SSXYA1	LSESB150 SSXYA1	LSESB150 HLXYA1	LSESB150 HVXYA1
LED Chips	PHILIPS 3030					
Input power	60W	90W	120W	150W	150W	150W
Lumens output	7800LM	11700LM	15600LM	19500LM	19500LM	15900LM
Efficiency	130LM/W	130LM/W	130LM/W	130LM/W	130LM/W	130LM/W
CRI	>72Ra					
Color Temperature	5000K					
Input voltage	100-277V UL Driver			100-277V HLG MW Driver	280-520V HVG MW Driver	
Light distribution type	Type II TypeIII					
Working temperature	-30~+60℃					
Junction temperature	<75℃					
lamps efficiency	≥90%					
Certificate	UL,cUL,DLC					
Equivalent	100-150W MH/HPS	175-200W MH/HPS	200-250W MH/HPS	250-400W MH/HPS	250-400W MH/HPS	250-400W MH/HPS

Specification/Model	LSESB185 HLXYA1	LSESB240 HLXYA1	LSESB300 HLXYA1
LED Chips	PHILIPS 3030		
Input power	185W	240W	300W
Lumens output	24050LM	31200LM	39000LM
Efficiency	130LM/W	130LM/W	130LM/W
CRI	>72Ra		
Color Temperature	5000K		
Input voltage	100-277V HLG MW Driver		
Light distribution type	Type II TypeIII		
Working temperature	-30~+60°C		
Junction temperature	<75°C		
lamps efficiency	≥90%		
Certificate	UL,cUL,DLC		
Equivalent	400-450W MH/HPS	600-750W MH/HPS	1000W MH/HPS

Ordering Information

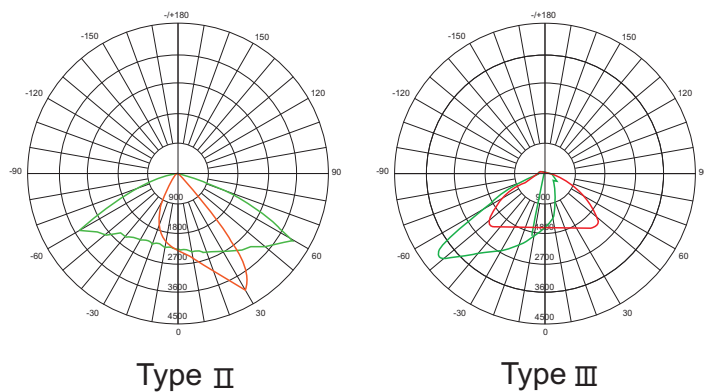
Example: LSPSB100W-40K-N-U-T-A

Product	Power	Replacement	Color Temperature	Photocell	Furnish	Head connector
LSESB60 SSXYA1	60W 2 module	100-150W MH/HPS	40K 4000K 50K 5000K	N not photocel Y yes photocell	T-Black Z-Brown C-Coffe	A: see below
LSESB90 SSXYA1	90W 2 module	175-200W MH/HPS				B
LSESB120 SSXYA1	120W 2 module	200-250W MH/HPS				C
LSESB150 SSXYA1	150W 2 module	250-400W MH/HPS				
LSESB150 HLXYA1	150W 2 module	250-400W MH/HPS				
LSESB150 HVXYA1	150W 2 module	250-400W MH/HPS				
LSESB185 HLXYA1	185W 3 module	400-450W MH/HPS				
LSESB240 HLXYA1	185W 4 module	600-750W MH/HPS				
LSESB300 HLXYA1	185W 4 module	1000W MH/HPS				

Connector options



Photometrics

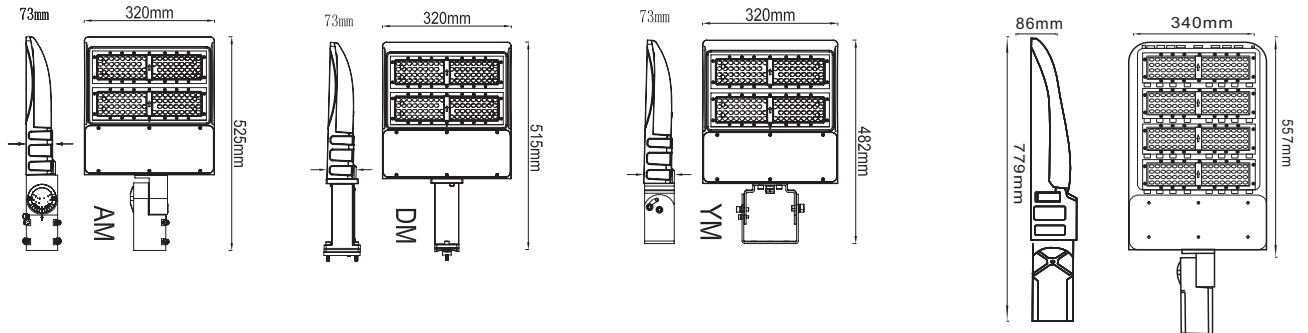


Projected LED Lumen Maintenance

Operating hours	0	25000	50000
Lumen maintenance factor	1	0.91	0.8

Data references the extrapolated performance projections for the SHOEBOX LED platform in a 25°C ambient, based on 10,000 hours of LED testing (tested per IESNA LM-80-08 and projected per IESNA TM-21-11).

Dimensions



After-sale Service

The product refers to electricians knowledge. Please don't disassemble it by yourself. If any quality problem happens, please contact the factory for warranty details.

NOTE: Actual performance may differ as a result of end-user environment and application. All values are without notice.