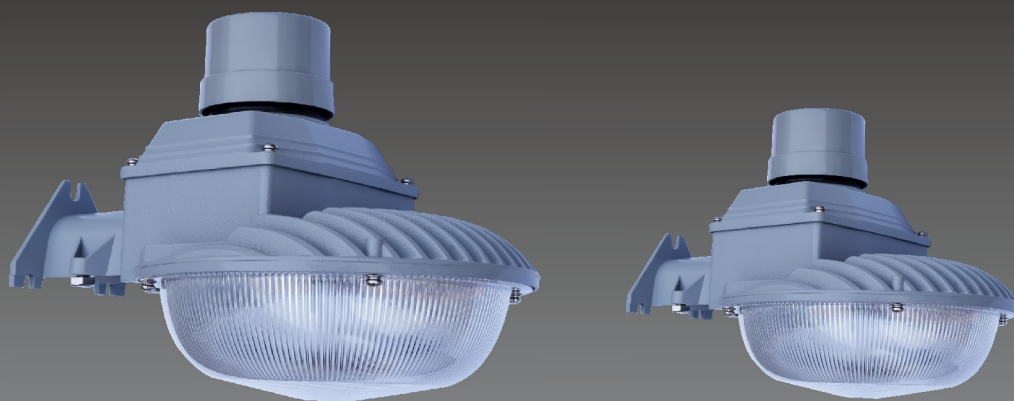


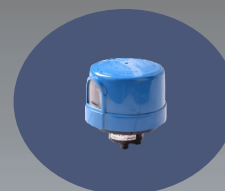
Area Lighting

YML-1AL35 Series



L Series

S Series



Optional photocell

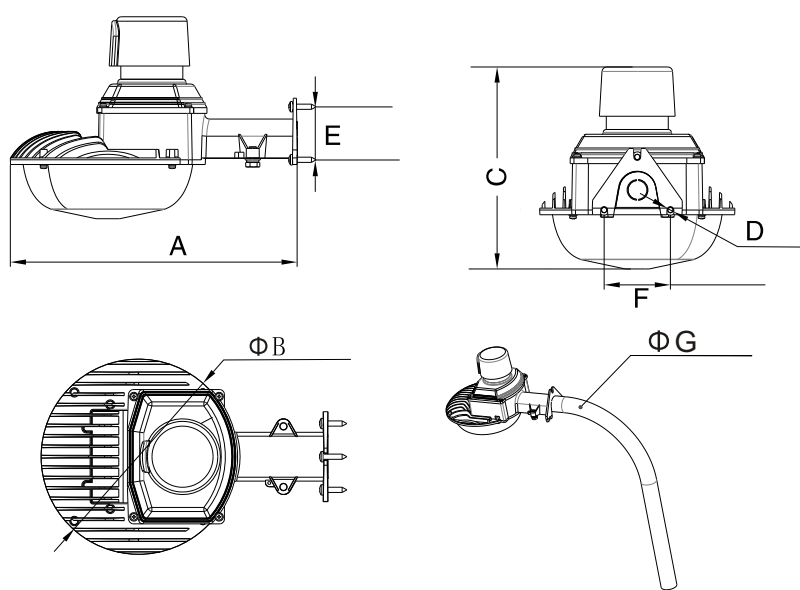


Applications

Parks, Courtyards, country road, etc.

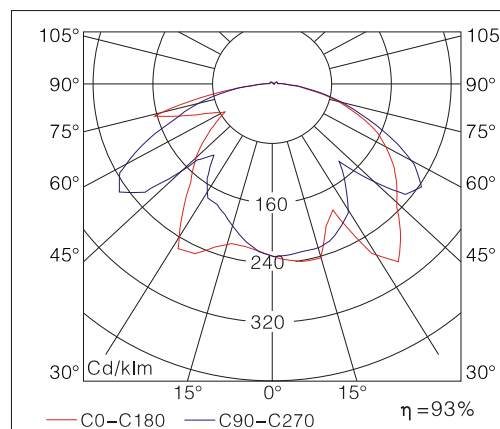
- Efficiency of chips: 138-150 lm/w
- Cover: high light transmittance PC, anti-UV oxidation.
- Housing: die casting aluminum housing with excellent heat dissipation, surface treated with powder coated finish for corrosion and static resistance.
- Input voltage: 100-277 VAC, 50/60 HZ
- LED driver: constant current, efficiency is up to 92%, PF ≥ 0.95.
- IP class: IP 65

Dimension [Inch(mm)]

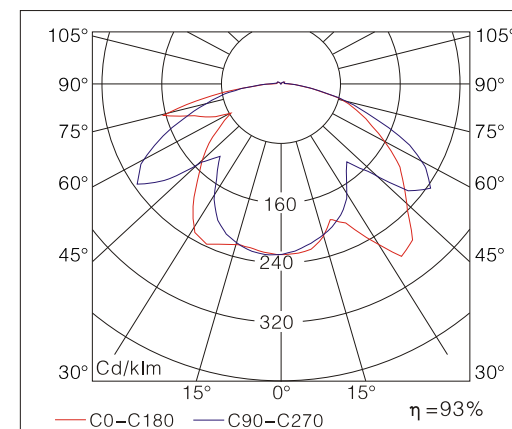


Wattage	A	B	C	D	E	F	G
23-38W	11.9(303)	8.1(206)	8.4(213)	0.27(7)	2.2(56)	2.75(70)	1.37-1.57(35-40)
60-80W	14.7(375)	9.8(250)	10.2(258)	0.27(7)	2.9(75)	3.9(100)	1.57-2.36(40-60)

Distribution Curve Flux



YML-1AL35S-23-750



YML-1AL35S-38-750

Ordering Information

Example: YML-1AL35S-23-750-S-4

Company code	Voltage	Type	Power	Ra	Colour Temp.	Colour Options	Options
YML	1 100~277VAC	AL35S	23 (23W 2200Lumens)	7	27	S Silver (standard)	1 0~10V dimming (only for AL35L series)
			38 (38W 3800Lumens)	70	2700K		
	2 200~240VAC	AL35L	60 (60W 6700Lumens)	8	30		4 Photocell
			80 (80W 8700Lumens)	80	3000K		
	3 100~120VAC			9	40		
				90	4000K		
	4 277~480VAC				50		
					5000K		
	5 347~480VAC				57		
					5700K		
					65		
					6500K		