



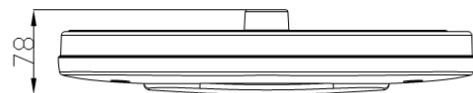
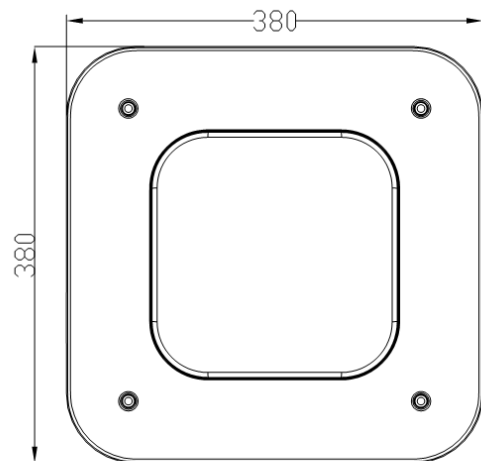
NAME: LED Canopy Light

P/N: LS-UCP-130W

Note: LS-UCP-130W Ceiling mounted and Threaded rod mounting.

Advantage:

- PHILIPS Chip, high CRI
- Mean Well IP65 driver, input voltage 200-480VAC
- No UV or IR in the beam
- Easy to install and operate
- Energy saving, long lifespan
- Light is soft and uniform, safe to eyes
- Instant start, NO flickering, NO humming
- Green and eco-friendly without mercury.



Application:

- ◆ Gas station

Product Specifications

Product name	LED Canopy Light
Part No	LS-UCP-130W
Light Type	Canopy Light
Dimension	380*380*78mm

Technical Characteristic

Color temperature	2700-7000K
CRI	>70
Lumen	13000-14300LM
Input Power	130W
Viewing Angle	110 Degree
Input Voltage	200-480V 50/60Hz
Driver model	HVG-150-48A(Mean Well Driver)
PFC	>0.9
Waterproof Rating	IP65

Materials

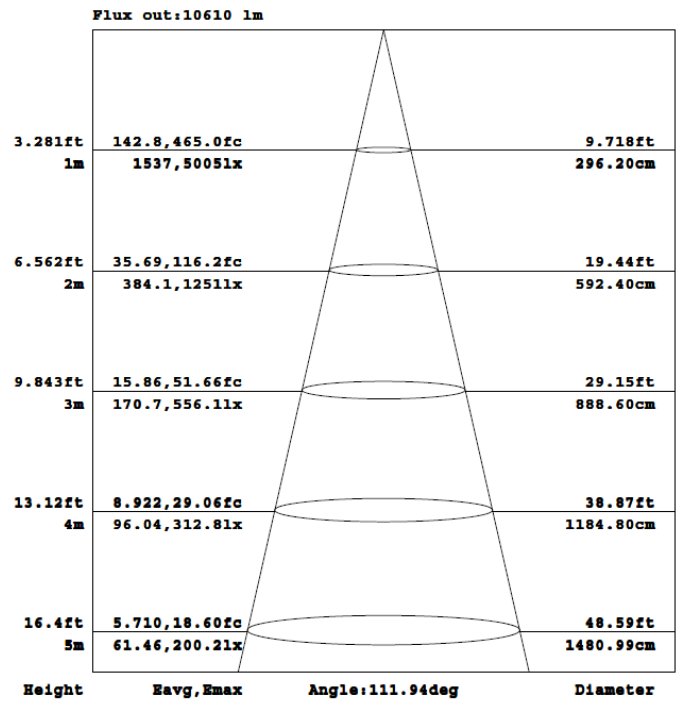
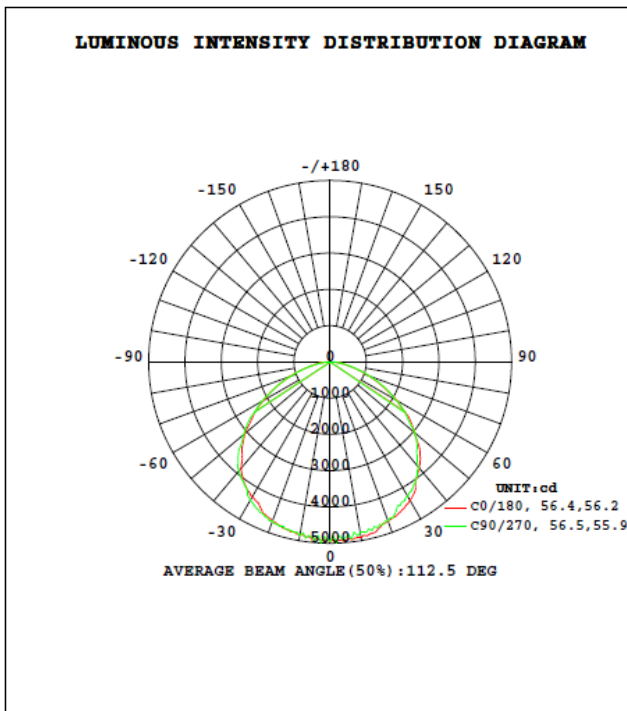
LED Brand	PHILIPS
LED Type	3030, 1.5W
LED QTY	154 PCS
Housing	Aluminum
Housing color	White

Others

Operating Temperature	-20℃ TO 45℃
Operating Humidity	20%-90% RH
Storage Temperature	-30℃ TO 80℃
Storage Humidity	10%-95%
Application	Outdoor
Safety Certification	UL、cUL DLC
Warranty Time	5 Years

Light Distribution Testing Parameters

DATA OF LAMP		PHOTOMETRIC DATA			
MODEL	CLG-130W-4000K	Imax(cd)	5008	S/MH(C0/180)	1.31
NOMINAL POWER(W)	130	LOR(%)	100.0	S/MH(C90/270)	1.30
RATED VOLTAGE(V)	120	TOTAL FLUX(lm)	14146	η UP, DN(C0-180)	0.1, 49.5
NOMINAL FLUX(lm)	14145.6	CIE CLASS	DIRECT	η UP, DN(C180-360)	0.1, 50.3
LAMPS INSIDE	1	η up(%)	0.2	CIBSE SHR NOM	1.25
TEST VOLTAGE(V)	120.0	η down(%)	99.8	CIBSE SHR MAX	1.35

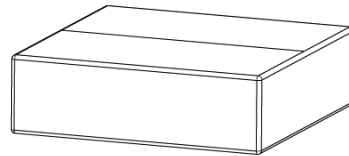
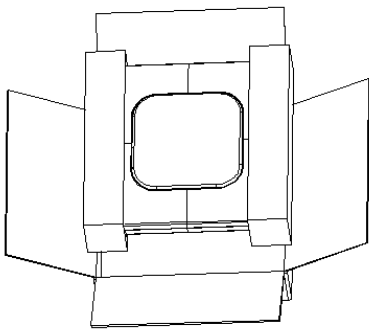


Note: The Curves indicate the illuminated area and the average illumination when the luminaire is at different distance.

Package

Lamps Net Weight: **6.3 Kg/pcs**

	Size	Qty/Carton	Weight/Carton
Outer box	425*420*120mm	1	7.2kg



Notice For User

- ◆ Please turn off power before install or change assembly parts.
- ◆ The input voltage and lamps should be matched, after connecting the power line, Please make sure the wiring section is insulated.
- ◆ No-professionals, must not install and disassemble the lamps.

Trouble Shootings

Troubles	Check points
Flickering of the light	Turn off the power and turn on again in 3 minutes. If same phenomena occur, then call agencies
Out of working	Please check the connection