

Incredible **100,000 hrs**

### GENERAL DESCRIPTION

Neptun's Induction 16" White Aluminum Low-Bay fixtures combine architectural design and versatility to make it an excellent choice for new construction or retrofit applications. The 16" housing is offered in a variety of wattages to provide maximum flexibility in all types of applications. It can replace existing HID fixtures up to 200W.

### APPLICATION

- Warehouse Lighting
- Factory Lighting
- Retail Lighting
- Showroom Lighting
- Grocery Store Lighting
- Area & Storage Lighting
- Gymnasium Lighting

### STRUCTURE, MATERIALS, & FEATURES

- 16" high reflectance White Aluminum hood.
- Corrosion resistant die-cast aluminum gear box with white electrocoat finish.
- High efficiency, heat and impact resistant, UV protected, non yellowing polycarbonate drop lens.
- Inductively coupled circular induction bulb.
- High power factor, low THD electronic ballast.
- Instant-On flicker-free Cold Start and Hot Re-Start.
- High quality glare-free light with high CRI above (83).
- Bright white light (5000°K) for greater visibility and safety.
- Advance phosphors for high lumen output and high lumen maintenance.
- Up to 20 year maintenance free operation.
- 10 Year Warranty.

### ORDERING INFORMATION

Sample Number: 17050-WH-UNV-850-MD-C3  
 Custom options and accessories available. Please consult factory

Series	Lamp Wattage	Reflector Type	Voltage	Color Temp	Accessories	Options
17 = 16" Low-Bay	050 = 50 W 080 = 80 W 100 = 100 W 120 = 120 W 150 = 150 W	WH = White	UNV = 120-277 VAC 480 = 347-480 VAC	830 = 3000°K 841 = 4100°K 850 = 5000°K * * Standard	LD-120V = Photocell for 120V LD-277V = Photocell for 277V MD = Motion Sensor Detector	C3* = 3' Cord-No Plug (other lengths available by specifying cord length C6 = 6' cord) PC3 = 3' Cord with NEMA Plug (verify plug type when ordering) * Standard ** Fixture ships with polycarbonate lens.



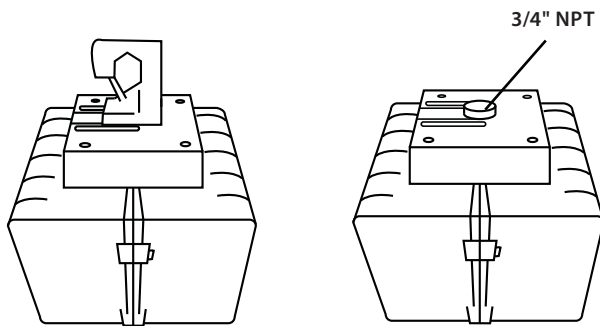
### PRODUCT INFORMATION

Model No.	Description	Rated Watts	Input Watts	Initial Lumens	Universal Line Voltage (VAC)	Max Line Current (Amp) 120 - 277	THD	Power Factor	Weight
17050-WH	16" Low-Bay Fixture	50	51	4,000	120-277	0.46-0.21	<10%	0.98	18 lbs
17080-WH	16" Low-Bay Fixture	80	82	5,600	120-277	0.72-0.30	<10%	0.98	18 lbs
17100-WH	16" Low-Bay Fixture	100	105	8,000	120-277	0.87-0.37	<10%	0.98	18 lbs
17120-WH	16" Low-Bay Fixture	120	125	9,600	120-277	1.05-0.45	<10%	0.98	20 lbs
17150-WH	16" Low-Bay Fixture	150	158	12,000	120-277	1.31-0.56	<10%	0.98	20 lbs

### SPECIFICATIONS

- Ballast Type ..... Electronic
- Start Method ..... InstantON
- Hot Re-start ..... InstantON
- Universal Input Line Voltage ..... 120-277 VAC
- Lamp Operating Frequency ..... 250 kHz
- Ballast Off-State Draw ..... 0 Watts
- Sound Rating ..... Class A
- ANSI Surge Protection ..... Class A
- Lamp / Ballast System Life ..... 100,000 Hrs.
- Lumen Maintenance @75,000Hrs ..... > 70%
- Color Temperature ..... 5000°K
- Color Rendering Index (CRI) ..... 83
- Minimum Starting Temperature ..... -20°F
- Maximum Starting Temperature ..... 160°F
- Lumens per Watt ..... 80
- Shock / Vibration Resistant ..... Yes
- Power Factor ..... > 0.98
- Total Harmonic Distortion ..... < 10%
- Inrush Current Peak ..... < 10 Amp
- ETL Listed / UL Standard 1598 ..... Yes
- FCC Compliance ..... Part 18, Subp. C
- IP Rating ..... IP43
- Warranty ..... 10 Year

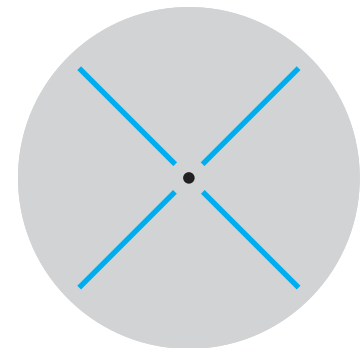
### MOUNTING OPTIONS



Hook Mount (Standard)

Pendant Mount

### PHOTOMETRICS (See Complete IES File)



Type V Distribution