

Incredible **100,000 hrs**

## GENERAL DESCRIPTION

Neptun's Induction pendant canopy fixture features an architectural design and durability to be used in new construction or retrofit applications. The 132 series fixture features downward illumination while providing a soft up-light to reduce the cave effect and evenly illuminate parking garages. Can replace existing HID & HPS canopy or parking garage fixtures up to 200 Watts.

## APPLICATION

- Parking Garage Lighting
- Canopy Lighting
- Showroom Lighting
- Area Lighting

## STRUCTURE, MATERIALS, & FEATURES

- Heavy-gauge, die-cast aluminum gear box.
- High efficiency, heat and impact resistant, UV protected, non yellowing polycarbonate lens / refractor.
- Corrosion resistant electrocoat silver finish (custom colors available).
- Offered in various stem lengths.
- Continuous silicone gasketing surrounds lens for weather - tight seal.
- Inductively coupled circular induction bulb.
- High power factor, low THD electronic ballast with surge protection.
- Instant-On flicker-free Cold Start and Hot Re-Start.
- High quality glare-free light with high CRI above (83).
- Bright white light (5000°K) for greater visibility and safety.
- Advance phosphors for high lumen output and high lumen maintenance.
- Up to 20 year maintenance free operation.
- 10 Year Warranty.

## ORDERING INFORMATION

Sample Number: 132040-UNV-850-06-SLVR  
Custom options and accessories available. Please consult factory

Series	Lamp Wattage	Voltage	Color Temp	Stem Length	Color
132 = Pendant Canopy	040 = 40 W 080 = 80 W 100 = 100 W	UNV = 120-277 VAC	830 = 3000°K 841 = 4100°K 850 = 5000°K * * Standard	06 = 6" Stem * 12 = 12" Stem 18 = 18" Stem * Standard	SLVR = Silver * Custom Colors Available



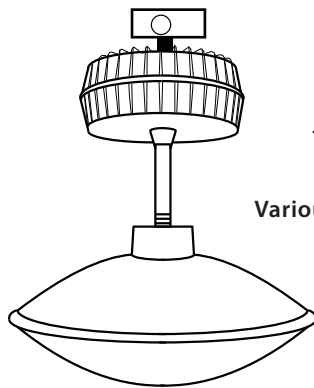
## PRODUCT INFORMATION

Model No.	Description	Rated Watts	Input Watts	Initial Lumens	Universal Line Voltage (VAC)	Max Line Current (Amp) @ 120 - 277	THD	Power Factor	Weight
132040-UNV	Pendant Canopy Fixture	40	41	3,200	120-277	0.35-0.15	<10%	0.98	12 lbs
132080-UNV	Pendant Canopy Fixture	80	82	6,400	120-277	0.80-0.32	<10%	0.98	15 lbs
132100-UNV	Pendant Canopy Fixture	100	105	8,000	120-277	0.87-0.37	<10%	0.98	15 lbs

## SPECIFICATIONS

- Ballast Type ..... Electronic
- Start Method ..... InstantON
- Hot Re-start ..... InstantON
- Universal Input Line Voltage ..... 120-277 VAC
- Input Line Frequency ..... 50/60 Hz
- Lamp Operating Frequency ..... 250 kHz
- Ballast Off-State Draw ..... 0 Watts
- Sound Rating ..... Class A
- ANSI Surge Protection ..... Class A
- Lamp / Ballast System Life ..... 100,000 Hrs.
- Lumen Maintenance @75,000Hrs ..... > 70%
- Color Temperature ..... 5000°K
- Color Rendering Index (CRI) ..... 83
- Minimum Starting Temperature ..... -20°F
- Maximum Starting Temperature ..... 160°F
- Lumens per Watt ..... 80
- Shock / Vibration Resistant ..... Yes
- Power Factor ..... > 0.98
- Total Harmonic Distortion ..... < 10%
- Inrush Current Peak ..... < 10 Amp
- ETL Listed / UL Standard 1598 ..... Yes
- FCC Compliance ..... Part 18, Subp. C
- IP Rating ..... IP65
- Warranty ..... 10 Year

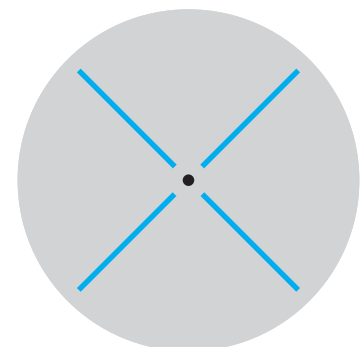
## MOUNTING OPTIONS



Pendant Mount  
to Standard  
1900 Junction Box

Various Stem Sizes Available

## PHOTOMETRICS (See Complete IES File)



Type V Distribution