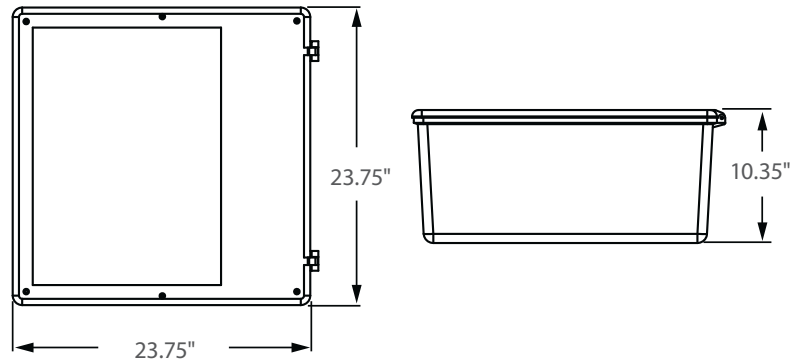




**\*\* AVAILABLE \*\***

**Bi-Level Dimming**  
100% 50%

**0 - 10V**  
FULL DIMMING



Incredible **75,000 hrs**

### GENERAL DESCRIPTION

Neptun's 23" LED flood combines classic form and versatility to make it an excellent choice for new construction or retrofit applications. The LED-39 series flood fixture is offered in a variety of wattages and mounting options to provide maximum flexibility in all types of applications. It can replace existing HID & HPS fixtures up to 750W.

### APPLICATION

- Parking Lot Lighting
- Car Lot Lighting
- Area & Storage Lighting
- Street Lighting
- Walkway Lighting
- Building Accent Lighting

### STRUCTURE, MATERIALS, & FEATURES

- Heavy-gauge, die-cast aluminum housing.
- Integral structural support plate for mounting arm ensures strength.
- Corrosion resistant electrocoat dark bronze finish (custom colors available).
- Hinged aluminum door frame incorporates stainless steel hardware.
- Continuous silicone gasketing surrounds optics for weather - tight seal.
- Correlated Color Temperature of (5000°K) for greater visibility and safety.
- High Output COB Cree LED's.
- Driver with built in Neptun Surge Protective Device (NSPD) provides single phase protection for Line/Neutral, Line/Ground, and Neutral/Ground in accordance with IEEE C62.41 C High (10kV & 10kA).
- InstantON flicker-free Cold Start and Hot Re-Start.
- Up to 15 years Maintenance free operation.
- 10 Year Warranty on complete fixture. (LED's, Driver, & Housing)
- **Optional:** 0-10V Dimming, Bi-Level Dimming, Wi-Fi Control, Remote Monitoring and ON/ OFF Control

### ORDERING INFORMATION

Sample Number: LED-39200-UNV-SF-850-T3-LD-BRZ  
Custom options and accessories available. Please consult factory.

Series	Wattage	Voltage	Options	Mounting	CCT	Accessories	Optics	Color
<b>LED-39</b> = Flood Area/Parking Fixture	<b>180</b> = 180 W <b>200</b> = 200 W <b>260</b> = 260 W <b>320</b> = 320 W	<b>UNV</b> = 120-277 VAC <b>347V</b> = 347 VAC <b>480V</b> = 480 VAC	<b>0-10VDIM</b> = 0-10V Dimming <b>BL-DIM</b> = Bi-Level Dimming * * Includes Motion Sensor	<b>SF</b> = Slip-Fitter Mount <b>YK</b> = Yoke Bracket Mount * See Pg. 2 for mounting options	<b>835</b> = 3500°K <b>841</b> = 4100°K <b>850</b> = 5000°K * * Standard	<b>LD</b> = Twistlock Photocell <b>MD</b> = Motion Sensor ON/OFF <b>FSGS</b> = Front Side Glare Shield <b>LGN</b> = Light Genie Node ** ** Contact factory for product information	<b>T3</b> = Type 3 <b>T5</b> = Type 5	<b>BRZ</b> = Bronze * Custom Colors Available



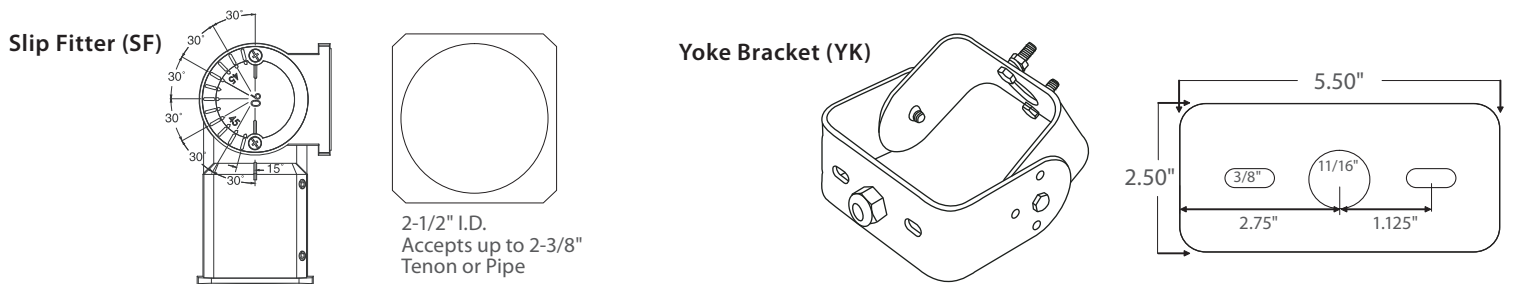
### PRODUCT INFORMATION

Model No.	Description	Rated Watts	Input Watts	Initial Lumens	Universal Line Voltage (VAC)	Max Line Current (Amp) @ 120 - 277	THD	Power Factor	Weight
LED-39180-UNV	LED Flood Light Fixture	180	185	16,200	120-277	1.57 - 0.68	<20%	>0.90	45 lbs
LED-39200-UNV	LED Flood Light Fixture	200	205	18,000	120-277	1.74 - 0.75	<20%	>0.90	45 lbs
LED-39260-UNV	LED Flood Light Fixture	260	265	23,400	120-277	2.29 - 0.98	<20%	>0.90	45 lbs
LED-39320-UNV	LED Flood Light Fixture	320	325	28,800	120-277	2.79 - 1.21	<20%	>0.90	38 lbs

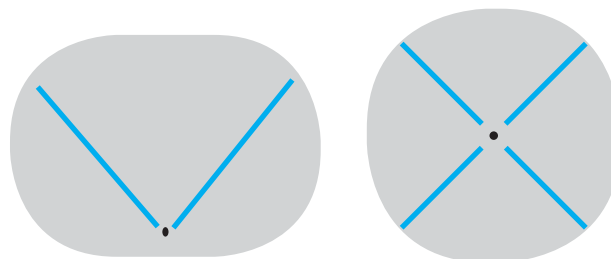
### SPECIFICATIONS

- Driver ..... Constant Current
- Start Method ..... InstantON
- Hot Re-start ..... InstantON
- Power Supply ..... 350mA
- Driver UL Rating ..... Class 1
- Driver UL Outdoor Rated ..... Wet Location
- Sound Rating ..... Class A
- ANSI Surge Protection ..... IEEE C62.41 C High
- Current Crest Factor ..... 1.5 maximum
- Load Regulation: 5% output current variation across load range
- Line Regulation: 1% output voltage variation across voltage range
- Driver Off-State Draw ..... 0 Watts
- Vibration Compliance ..... 3G
- Universal Input Line Voltage ..... 120-277 VAC
- Input Line Frequency ..... 50/60 Hz
- LED / Driver System Life ..... 75,000 Hrs.
- Lumen Maintenance @50,000Hrs ..... > 70%
- Color Temperature ..... 5,000°K
- Color Rendering Index (CRI) ..... > 80
- Minimum Starting Temperature ..... -40°C
- Maximum Starting Temperature ..... +50°C
- Lumens per Watt ..... > 90
- Shock / Vibration Resistant ..... Yes
- Power Factor ..... > 0.90
- Total Harmonic Distortion ..... < 20%
- Inrush Current Peak ..... < 10 Amp
- FCC Compliance ..... Part 15, Subp. C
- EPA Rating ..... 1.70 ft.<sup>2</sup>
- Driver IP Rating ..... IP67
- Optics IP Rating ..... IP68
- Warranty ..... 10 Year

### MOUNTING OPTIONS



### PHOTOMETRICS (See Complete IES File)



Type 3 Distribution

Type 5 Distribution