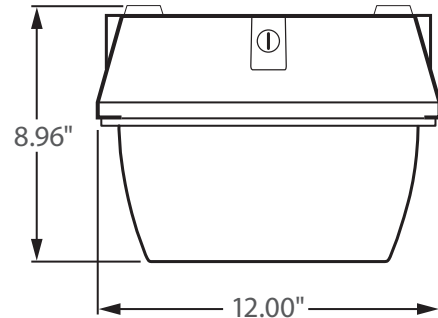


### 24VDC OPERATION



## Incredible OFF GRID Operation

### GENERAL DESCRIPTION

Neptun's 12" square Induction canopy fixture features classic design and durability to be used in new construction or retrofit applications. The 12 series canopy fixture features excellent optics for increased visibility and security with horizontal and vertical footcandles to evenly illuminate parking garages. The 24 Volt DC driver allows for compatible use with Solar or Wind powered systems. It can replace existing HID canopy or parking garage fixtures up to 200 Watts.

### APPLICATION

- Solar Parking Garage Lighting
- Solar Canopy Lighting
- Solar Gas Station Lighting
- Solar Indoor Lighting
- Solar Storage Lighting
- Solar Security Lighting
- Solar Area Lighting

### STRUCTURE, MATERIALS, & FEATURES

- Heavy-gauge, die-cast aluminum housing.
- High efficiency, heat and impact resistant, UV protected, non yellowing polycarbonate lens / refractor.
- Custom designed anodized aluminum reflectors for superior illuminance.
- Corrosion resistant electrocoat dark bronze finish (custom colors available).
- Easy removal lens with (4) stainless steel screws.
- Continuous silicone gasketing surrounds lens for weather - tight seal.
- Inductively coupled circular induction bulb.
- High power factor, 24 Volt DC ballast.
- Instant-On flicker-free Cold Start and Hot Re-Start.
- High quality glare-free light with high CRI above (83).
- Bright white light (5000°K) for greater visibility and safety.
- Advance phosphors for high lumen output and high lumen maintenance.
- Up to 20 year maintenance free operation.
- 10 Year Warranty.

### ORDERING INFORMATION

Sample Number: 12040-24VDC-850-LD-BRZ  
 Custom options and accessories available. Please consult factory

Series	Lamp Wattage	Voltage	Color Temp	Accessories	Color
12 = 12" Square Canopy	040 = 40 W 080 = 80 W 100 = 100 W	24VDC = 24 VDC	830 = 3000°K 841 = 4100°K 850 = 5000°K * * Standard	LD = Light Detector / Photocell MD = Motion Sensor Detector	BRZ = Dark Bronze * Custom Colors Available



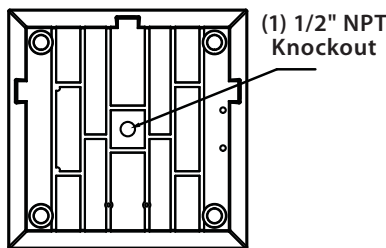
### PRODUCT INFORMATION

Model No.	Description	Rated Watts	Input Watts	Initial Lumens	Input Line Voltage (VDC)	Max Line Current (Amp)	Power Factor	Weight
12040-24VDC	12" Square Canopy	40	41	3,200	24	1.74	0.98	10 lbs
12080-24VDC	12" Square Canopy	80	82	6,400	24	3.49	0.98	12 lbs
12100-24VDC	12" Square Canopy	100	105	8,000	24	4.37	0.98	12 lbs

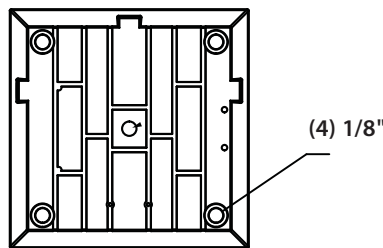
### SPECIFICATIONS

- Ballast Type ..... Electronic
- Start Method ..... InstantON
- Hot Re-start ..... InstantON
- Input Line Voltage ..... 24 VDC
- Input Line Frequency ..... 50/60 Hz
- Lamp Operating Frequency ..... 250 kHz
- Ballast Off-State Draw ..... 0 Watts
- Sound Rating ..... Class A
- Lamp / Ballast System Life ..... 100,000 Hrs.
- Lumen Maintenance @75,000Hrs ..... > 70%
- Color Temperature ..... 5000°K
- Color Rendering Index (CRI) ..... > 83
- Minimum Starting Temperature ..... -20°F
- Maximum Starting Temperature ..... 160°F
- Initial Lumens per Watt ..... 80
- Shock / Vibration Resistant ..... Yes
- Power Factor ..... > 0.98
- ETL Listed / UL Standard 1598 ..... Yes
- FCC Compliance ..... Part 18, Subp. C
- IP Rating ..... IP65
- Warranty ..... 10 Year

### MOUNTING OPTIONS

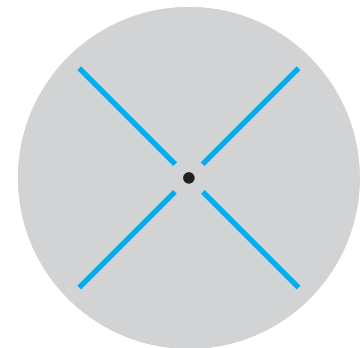


Pendant Mount



Surface Mount

### PHOTOMETRICS (See Complete IES File)



Type V Distribution