



High Bay Linear (4ft)



Description

The LITELUME™ High Bay Linear (LL-HBL4) series high bay fixture has a compact 1' x 4' and 2' x 4' form factor and comes standard with a Medium Optic Lens (ML) suitable for medium-high to high mounting heights replacing 400-100w metal halide or 6-12 lamp T5HO. With additional Prismatic (PL) and Aisle (AL) optic lens options, this high quality luminaire fits any general high bay application.

Fixture Information

Size:	200W/320W
Housing:	Aluminum
Finish:	Protective powdercoat
Color:	Standard: White
Mounting:	Standard: 60" Air Craft Cable Set Optional: Center Mounting Box
Lens:	Standard: Medium Optic Custom Options: Prismatic Aisle Lens
Surge Protector:	Optional: 10 kVA
Operating Temperature:	-40° F to 131° F
Power Factor:	.95
Voltage	Standard: 120-277V Custom Option: 347-480V
Sensor:	Standard: No sensor Bi-Level Motion Sensor Remote Control
Warranty:	10-Year Limited Warranty

Performance Data

Lumen Output:

29,100 to 48,000 lm

Lumens Per Watt (typical):

141 to 150 lm/W

CCT:

4000K
5000K

Distribution

HB

Lifespan:

Features Philip Lumileds with up to 100,000 running hours

Ratings & Certificates

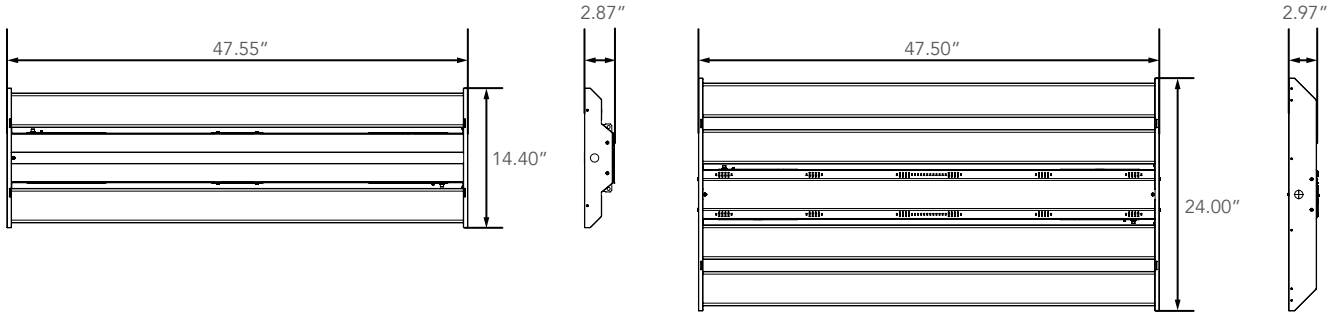
UL Listed For Damp Location
DLC Qualified





Dimension

Item	Length	Width	Depth	Weight
High Bay Linear 1' x 4'	47.55"	14.40"	2.87"	16.51 lbs
High Bay Linear 2' x 4'	47.50"	24.00"	2.97"	26.12 lbs

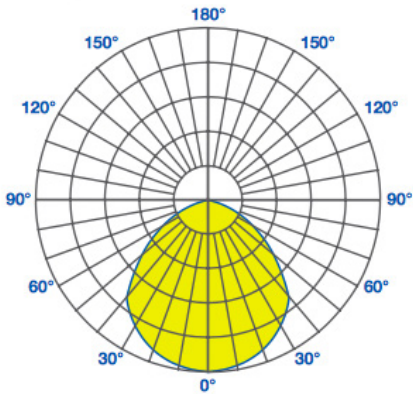


Mounting

- Standard: 60" Air Craft Cable Set
- Optional: Center Mounting Box

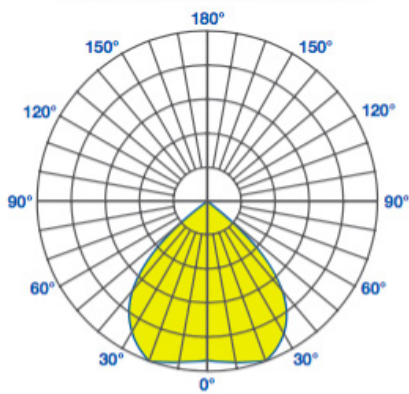
Photometrics

Prismatic Lens (PL):



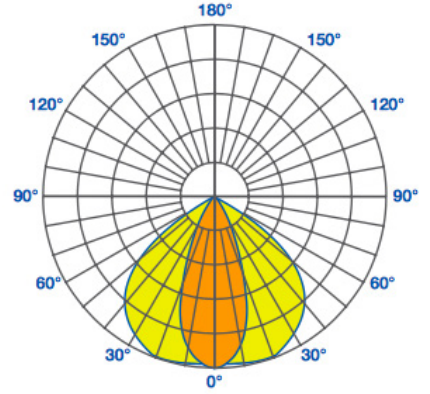
Application: Open floor at low to medium mounting heights.
 Beam Distribution: 100°

Medium Lens (ML)



Application: Open floor at medium to high mounting heights.
 Beam Distribution: 80°

Aisle Lens (AL)



Application: Aisle or rack at low to High mounting heights.
 Beam Distribution: 90° (0° viewing angle)
 45° (90° viewing angle)