

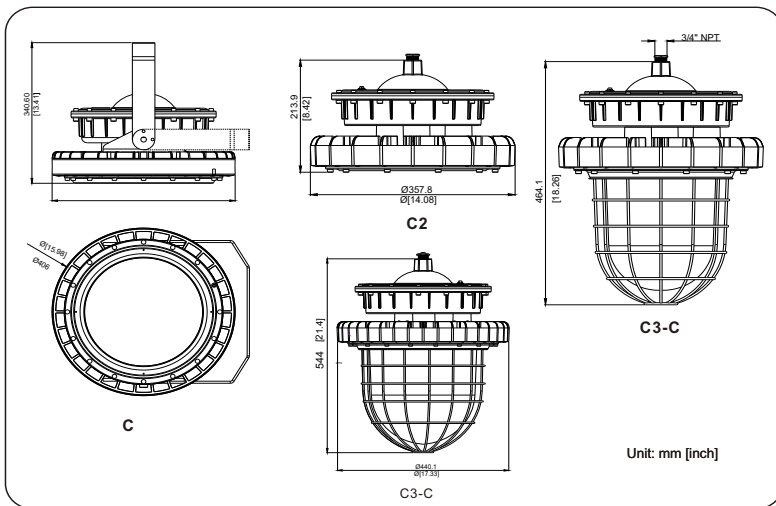


Basic Data

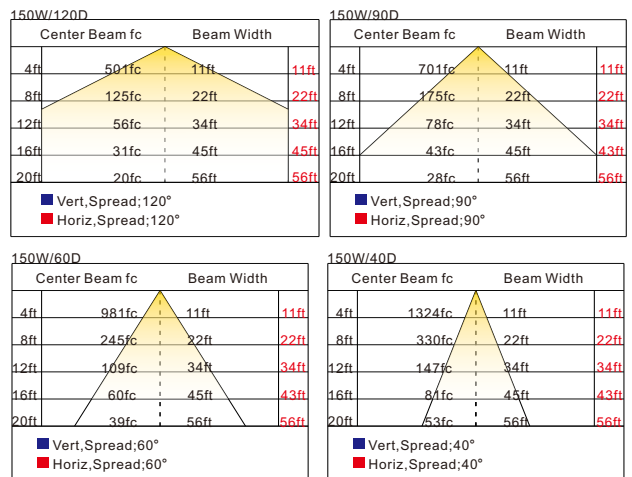
Product Number	Wattage	Color Temp.	Voltage	Lumens	Warranty	CRI
EX-20W C2YZDA	20	4000K-5700K	100-277/200-480V	2800	5 years	70
EX-60W C2YZDA	60	4000K-5700K	100-277/200-480V	8400	5 years	70
EX-80W C2YZDA	80	4000K-5700K	100-277/200-480V	11200	5 years	70
EX-100W CYZDA	100	4000K-5700K	100-277/200-480V	14000	5 years	70
EX-150W CYZDA	150	4000K-5700K	100-277/200-480V	21000	5 years	70
EX-200WC3YZDA	200	4000K-5700K	100-277/200-480V	28000	5 years	70
EX-300W C3YZDA	300	4000K-5700K	100-277/200-480V	42000	5 years	70

“C,C2,C3”=Product code, “Y”=D or N:Dimmable or non-dimmable “Z”= CCT, from 4000~5700K “D”=Beam angle, D40 for 40°,D60 for 60°,D90 for 90°, D120 for 120° A for glass info. blank for flat glass, C for spherical glass.

Dimensions



Lighting Distribution



Approvals

Marking Atex	II2 G Ex db IIC T6 Gb II2 D Ex db IIIC T80 Db IP66
Marking IECEx	Ex db IIC T6 Gb Ex db IIIC T80 Db IP66
Marking UL844 (North American)	Class I,Division 1,Groups C,D Class I,Division 2,Groups A,B,C,D Class II,Division 1,Groups E,F,G Class II,Division 2,Groups E,F,G Class III
Marine Marking	UL 1598A ABS and DNV Type Approved
Other Rating	IP 66 IK 10

Installation

