

# Stadium Series LED Sports Light



Special mould  
Generation 3

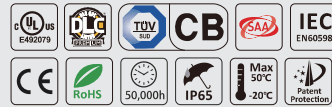
NEW

**Specification:**

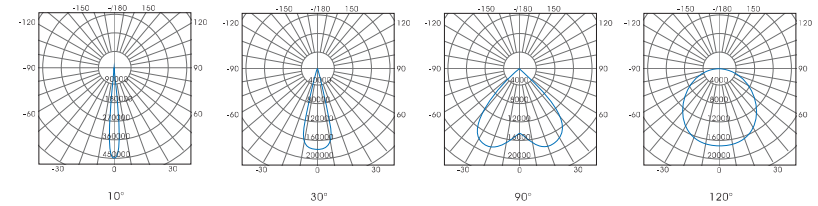
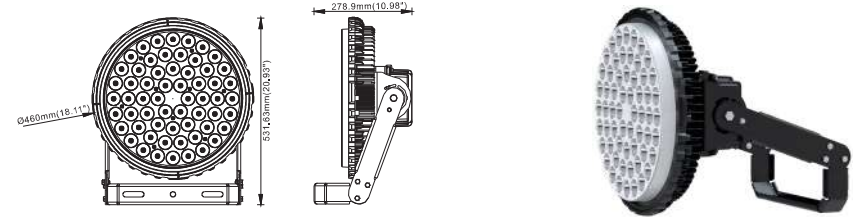
- AL1070 Pure Aluminum Housing (cold forging Technology)
- IK10 strong protection, good optical function
- Waterproof: IP65
- Life Span: > 50,000 Hours
- Operating Temperature: -20~50°C
- Storage Temperature: -40~60°C

• Driver Brand: **MW** or **INVENTRONICS**

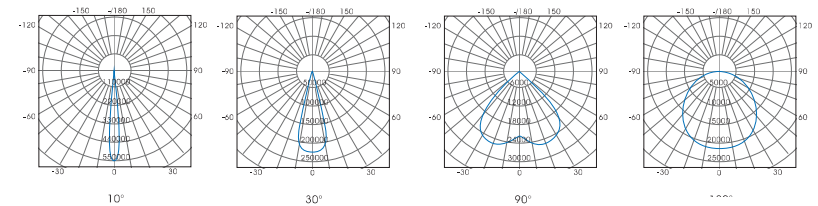
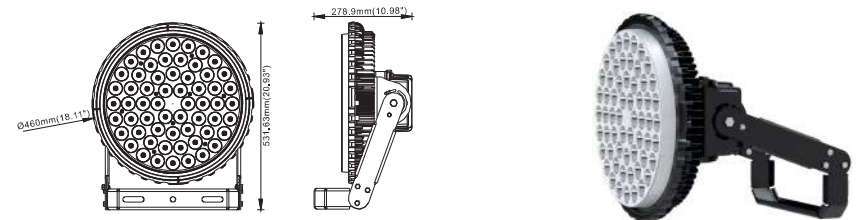
• LED Brand: **LUMILEDS** or **CREE**



Code	Power	Lumen	CCT	CRI	Weight	Beam Angle
BR-FL300W-07(ID:G3)	300W	160Lm/w	5700K	>80	19	120°
BR-FL300W-07(ID:G3)	300W	140Lm/w	5700K	>80	19	30° / 90°
BR-FL300W-07(ID:G3)	300W	110Lm/w	5700K	>80	19	10°

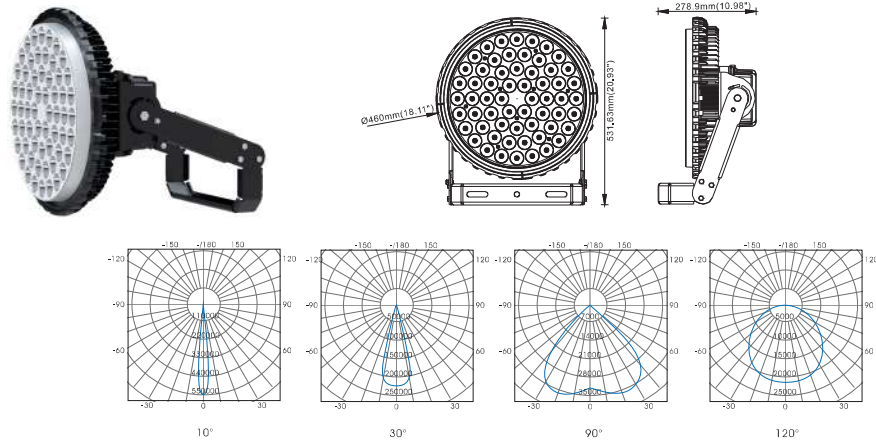


Code	Power	Lumen	CCT	CRI	Weight	Beam Angle
BR-FL400W-07(ID:G3)	400W	160Lm/w	5700K	>80	19	120°
BR-FL400W-07(ID:G3)	400W	140Lm/w	5700K	>80	19	30° / 90°
BR-FL400W-07(ID:G3)	400W	110Lm/w	5700K	>80	19	10°

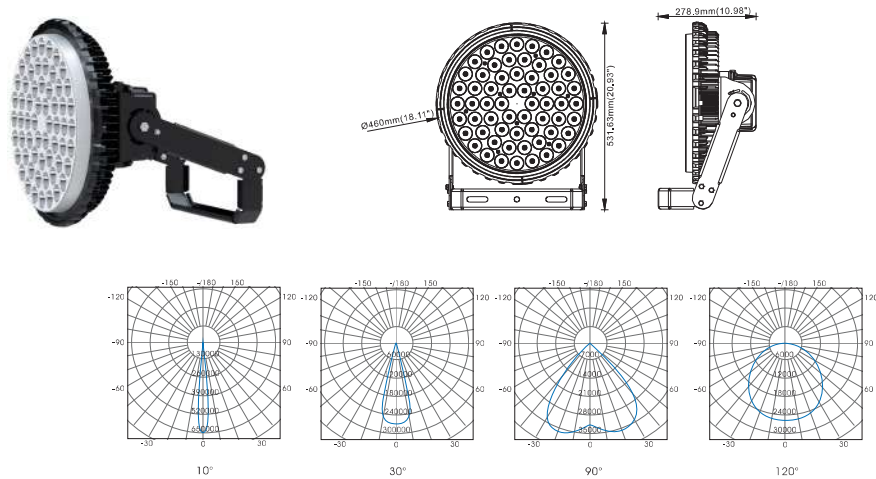


## Stadium Series LED Sports Light

Code	Power	Lumen	CCT	CRI	Weight	Beam Angle
BR-FL450W-07(ID:G3)	450W	160Lm/w	5700K	>80	19	120°
BR-FL450W-07(ID:G3)	450W	140Lm/w	5700K	>80	19	30° / 90°
BR-FL450W-07(ID:G3)	450W	110Lm/w	5700K	>80	19	10°



Code	Power	Lumen	CCT	CRI	Weight	Beam Angle
BR-FL500W-07(ID:G3)	500W	160Lm/w	5700K	>80	19	120°
BR-FL500W-07(ID:G3)	500W	140Lm/w	5700K	>80	19	30° / 90°
BR-FL500W-07(ID:G3)	500W	110Lm/w	5700K	>80	19	10°



### P1 Model Options



1. lens is 10°(110Lm/w)



2. lens is 30° or 90°(140Lm/w)



3. lens is 120°(160Lm/w)

### P2 Model Options



1. lens is 10°(110Lm/w)



2. lens is 30° or 90°(140Lm/w)



3. lens is 120°(160Lm/w)

### P3 Model Options



1. lens is 10°(110Lm/w)



2. lens is 30° or 90°(140Lm/w)



3. lens is 120°(160Lm/w)

### P4 Model Options



1. lens is 10°(110Lm/w)



2. lens is 30° or 90°(140Lm/w)



3. lens is 120°(160Lm/w)