

Description

The U-VT4 Vapor Tight is designed for low to medium mounting heights. Ideal for applications where dirt, dust, humidity, moisture and cold temperatures are present. Can be pendant or flush mounted.



Applications

Freezers / Coolers
Parking Garage

Toll Booths
Security Lighting
Pathways
Tunnels

Details

IP Rating	IP67
Materials	Aluminum and Polycarbonate
Lens	Frosted Polycarbonate
L70 Life	70,000 Hours
Warranty	5 Years
CRI	80+
Qualification	UL, DLC 5.0, FCC, CE, RoHS
Chip Man.	Philips

Electrical

Power Factor	0.99
Frequency	50/60 Hz
Max THD	13%
Operating Temp.	-40° F to 130° F -40° C to 54° C
Dimming	0-10V

MODEL/DLC #:	U-VT4-40-50	U-VT4-60-50
Color Temp:	5000K	5000K
Input Wattage:	40W	60W
Lumens:	4,920 lm	6,780 lm
Equivalent:	144W FL	216W FL

Ordering Information

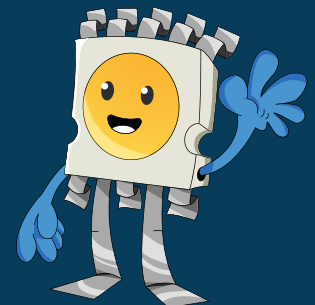
Example: U-VT4-60-50-115-1-1-F-EI-GR

Item	Wtg	Color Temp.	Lumen Package	Distribution	Input Voltage	Mounting	Options	Finish
U-VT4	40 60	30 - 3000K 40 - 4000K 50 - 5000K* 57 - 5700K	115 - 115 l/W*	1-220°*	1 - 100-277V* 2 - 480V	F - Flush* P - Pendant**	MS - Motion Sensor EI - Emergency Inverter (X)P - (X)-Pin Twist-Lock Base (X = select one: 3,5, or 7) WP(X) - Additional Whip (X = specify total length in ft.; 2.5' is standard)	GR - Gray*

*Standard **Hardware not included

Additional Notes

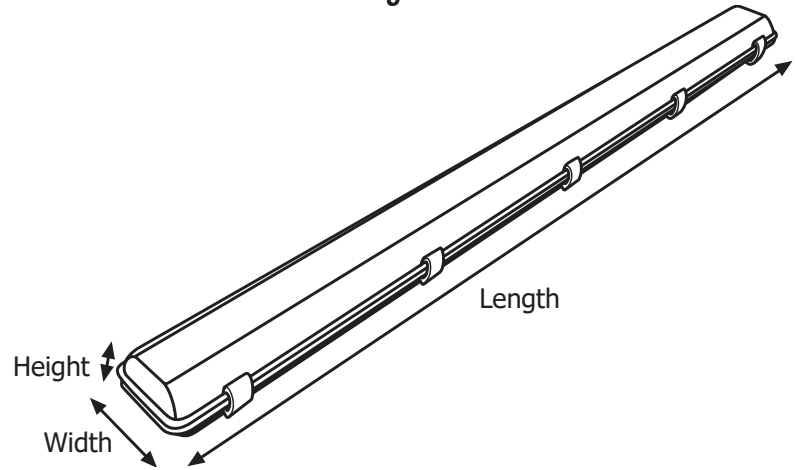
- 4000K and 5000K, 100-277V are stocked locally, check for ETA's
- Step-down dimming motion sensors are for 100-277V models only
- Additional charges apply for items under "Options" column
- Not all product variations listed on this page are DLC Qualified. To ensure that a specific model is qualified, visit www.designlights.org/search.



Lumen Output

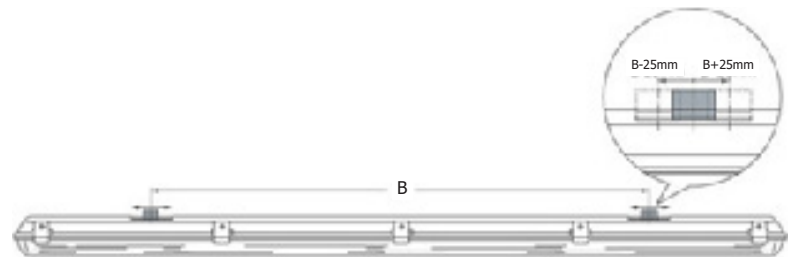
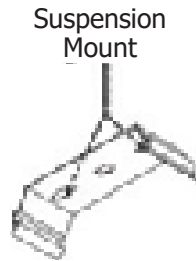
System Watts	CCT	Lumens	lm/W
40	3000K	4,600	115
	3500K	4,680	117
	4000K	4,760	119
	4500K	4,840	121
	5000K	4,920	123
60	3000K	6,300	105
	3500K	6,420	107
	4000K	6,540	109
	4500K	6,660	111
	5000K	6,780	113

Fixture Dimensions and Weight



Length	Width	Height	Weight
50 in.	5.8 in.	4.2 in.	5.3 lb.
1,270 mm.	147 mm.	4.2 mm.	2.4 kg.

Mounting



Accessories and Options

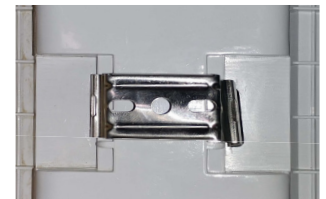
Phenix Internal Emergency Inverter (18470X-2) (optional)



Multi-Level Motion Sensor (optional)



Universal Stainless Steel Mounting Bracket



Wiring Precaution

The international color scheme is brown (hot), blue (neutral) and green/yellow (ground) wiring. Always disconnect power when installing or troubleshooting. Consult a licensed technician.

