



High Bay Round



*shown with Motion Sensor

Description

The LITELUME™ LED High Bay Round (HBR) is a low profile luminaire constructed with a IP65 rated one piece die cast housing suitable for both indoor and outdoor applications. Featuring a proprietary optical system making this fixture ideal for all high bay applications.

Fixture Information

Size:	103W/180W
Housing:	Sealed Die-casting
Finish:	Protective powdercoat
Color:	Standard: White Custom Options: Black (BK) Bronze (BZ)
Mounting:	Standard: Hook Mount
Lens:	Standard: Polycarbonate Clear Lens Optional: Frosted Lens
Surge Protector:	Optional: 10 kVA
Operating temperature	-40° F to 131° F
Power factor	.95
Voltage:	Standard: 120-277V Custom Option: 347-480V
Sensor:	Standard: No sensor Bi-level Motion Sensor Remote Control Sensor
Warranty:	10-Year Limited Warranty

Performance Data

Lumen Output:

13,685 to 25,000 lm

Lumens Per Watt (typical):

133 to 140 lm/W

CCT:

4000K
5000K

Distribution

Type V

Lifespan:

Features Philip Lumileds with up to 100,000 running hours

Ratings & Certificates

UL Listed For Wet Location
DLC Premium Qualified
IP65 rated

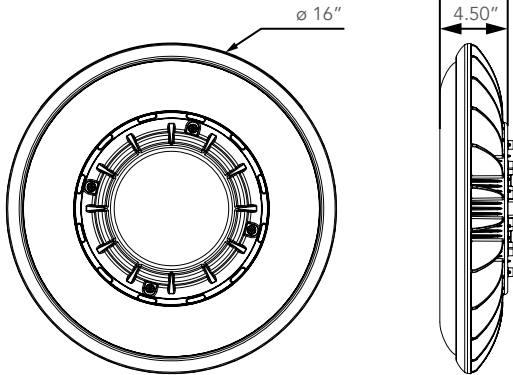




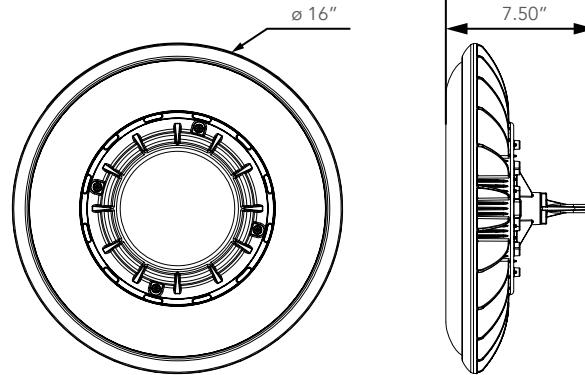
Dimension

Item	Diameter	Height	Weight
105W High Bay Round w/o Hook	16.00"	4.50"	8.30 lbs
105W High Bay Round w/ Hook	16.00"	7.50"	8.30 lbs
180W High Bay Round w/o Hook	16.00"	4.50"	9.50 lbs
180W High Bay Round w/ Hook	16.00"	7.50"	9.50 lbs

No Hook



With Hook

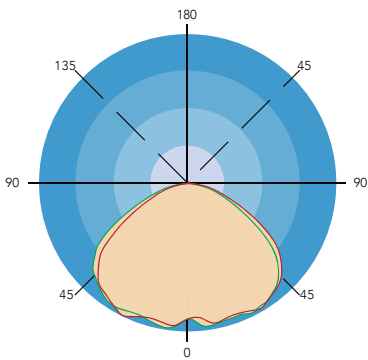


Mounting

Suitable for hook mount. The installation steps are simple and safe

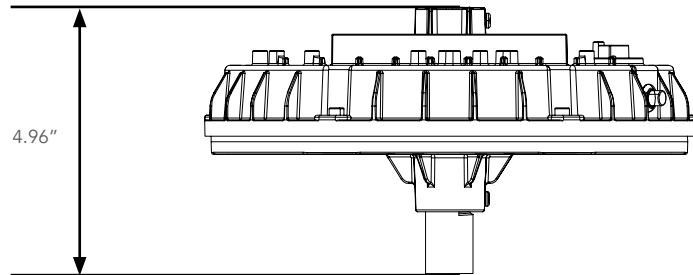
Photometrics

General



Accessories

Emergency Battery Back Up Kit





Project Name	
Catalog #	
Job Type	
Prepared By	
Notes	

Fixture Ordering Information

Item #	Part #	Wattage	Lumens	Kelvin	Voltage	Type Distribution	Custom Option Available*
6510	LL-HBR-105-50-UNV-WH	103	14,000	5000	120-277	HB	Yes
6511	LL-HBR-105-40-UNV-WH	103	13,685	4000	120-277	HB	Yes
6512	LL-HBR-180-50-UNV-WH	180	25,000	5000	120-277	HB	Yes
6513	LL-HBR-180-40-UNV-WH	180	24,110	4000	120-277	HB	Yes

* Please contact LITELUME for all Custom Option Requests

Accessories Ordering Information

Item #	Part #	Wattage
20	MS20	Bi-Level PIR Motion Sensor 20
21	LL-100	Remote Control 100
57	L3	L3 Low Bay Coverage Lens
58	L4	L4 High Bay Coverage Lens
310	CORD6WH183	6' So Cord, White, 300V, 18 Gauge, 3 Conductor
311	CORD6WH185	6' So Cord, White, 300V, 18 Gauge, 5 Conductor
310-480	CORD6WH600183	6' So Cord, White, 600V, 18 Gauge, 3 Conductor
311-480	CORD6WH600185	6' So Cord, White, 600V, 18 Gauge, 5 Conductor
320	5-15P	NEMA 5-15P Plug, 15 Amp, 125V
321	L5-15P	NEMA Twist Lock L5-15P Plug, 15 Amp, 125V
322	L7-15P	Nema Twist Lock L7-15P Plug, 15 Amp, 125V
323	L7-20P	Nema Twist Lock L7-20P Plug, 20 Amp, 277V
344	FR-HBR	Frosted Lens for High Bay Round
35	EMKIT16WH	Emergency Battery Back Up Kit 16W White

* Please contact LITELUME for all Custom Option Requests

Buy American Act Compliant Ordering Information

Item #	Part #	Description
222	BAA-HBR	Buy American Act Compliant for High Bay Round

* Please contact LITELUME for all Custom Option Requests