



Wattage:	100W	150W	240W
Height:	10 in / 251 mm	10.8 in / 275 mm	12.4 in / 315 mm
Diameter:	10.8 in / 275 mm	10.8 in / 275 mm	10.8 in / 275 mm
Weight:	6.4 lb / 2.6 kg	9.5 lb / 4.3 kg	10.5 lb / 4.76 kg



Applications:

Warehouse Lighting	Gymnasiums
Cold Storage	Indoor Areas
Shopping Centers	Exhibit Halls

Description:

The HBIS High Bay fixture is the perfect LED to replace all your existing HID and Fluorescent High Bay lights. With dimming ballast and motion sensor options, you can't go wrong.

Details:

IP Rating	IP44
Material	Die Cast Aluminum
Lens	Fireproof Polycarbonate
L70 Life	54,000 Hours
Warranty	5 Years
CRI	70+
Certification	UL, DLC 4.2, FCC, CE, RoHS
Driver Man.	Mean Well
Chip Man.	Phillips

Electrical:

Power Factor	0.99
Frequency	50/60 Hz
Max THD (%)	15 - 20
Operating Temp.	-30° F to 150° F -34° C to 65° C
Dimming	3 in 1 (Resistance, PWM, 1-10V)

HIGH BAY INDUSTRIAL SERIES

Ordering Information

Series: HBIS

DLC Family: U-IHB

Wtg	Lumen Pckge	Color Temp.	Input Voltage	Lens / Housing	Mounting	Options	Finish
100	110 L/W	30K - 3000K	1 - 120-277V	1 - 100°	H - Hook (standard)	WP - 4' Whip	BL - Black
150	135 L/W	40K - 4000K	2 - 480V*	2 - 60°	P - Pendant	TL - Twist Lock Cap	W - White
240		50K - 5000K		C - Clear		MS - Motion Sensor	SP - Other
		57K - 5700K		F - Frosted		DMS - Dimming and Motion Sensor	

Example: HBIS-150-110-50K-1-1-C-P-WP-BL

Input Wattage:	100W	150W	240W
Equivalent:	400W MH	600W MH	1000W MH

Standard Colors



Custom Colors



Notes:

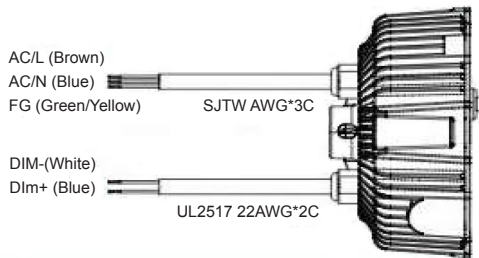
- Only 5000K in black are in stocked locally, check for ETA's
- 480V is special order only and will reduce the warranty to 5 years.
- Must specify pendant type when ordering.

Lumen Output at 5700K

System Watts	Lumens	LPW	Lumens	LPW
100	12,000	110	13,500	135
150	17,400	110	20,250	135
240	28,320	110	32,400	135

Installation

1. Important: Shut the power down
2. Hang the fixture.
3. Connect the power.



3-Step Microwave Motion Sensor and Photocell Combination



Clear Lens

Frosted Lens

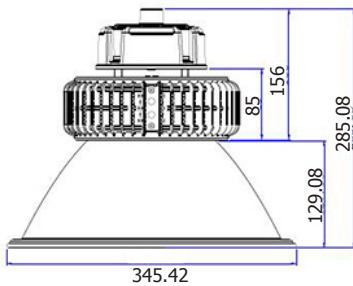


Tool-Free Relector Installation

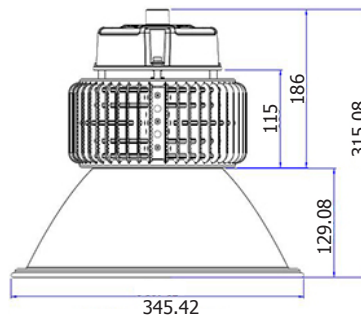


Dimensions

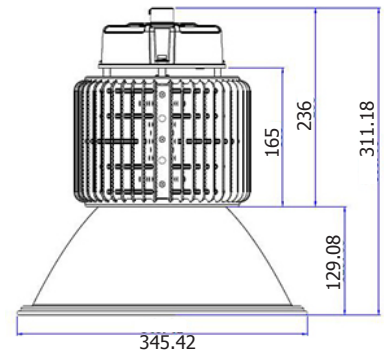
100 Watt / 60° Reflector



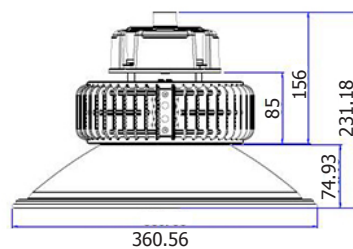
150 Watt / 60° Reflector



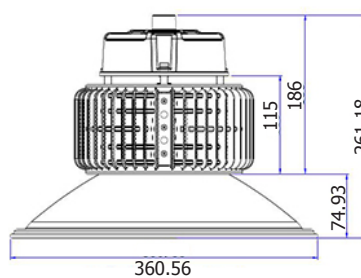
240 Watt / 60° Reflector



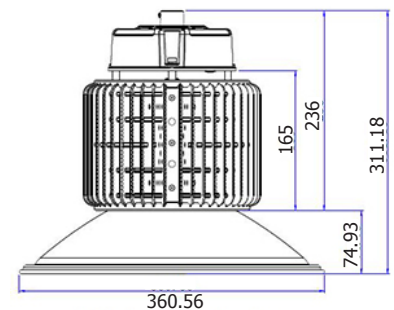
100 Watt / 100° Reflector



150 Watt / 100° Reflector

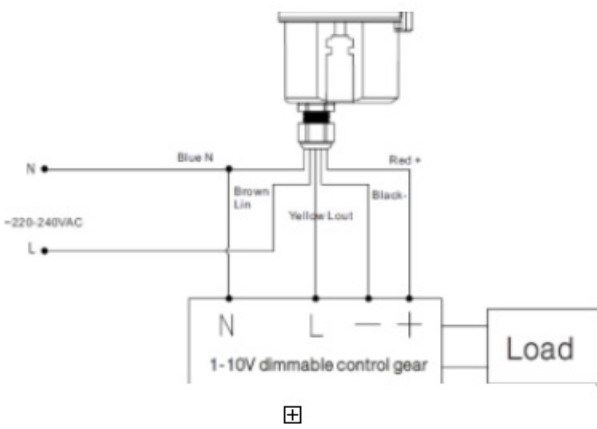
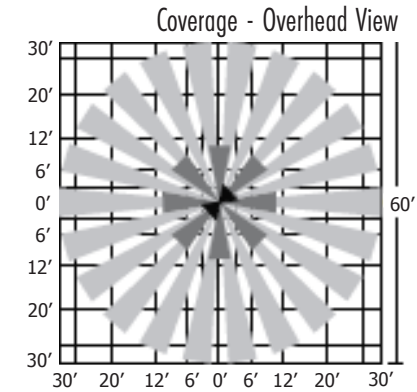
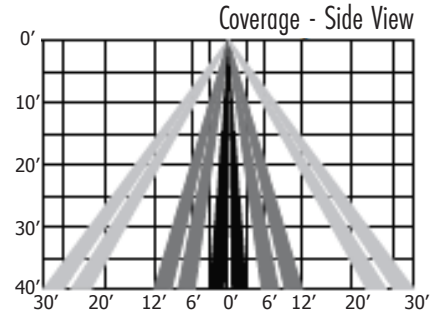
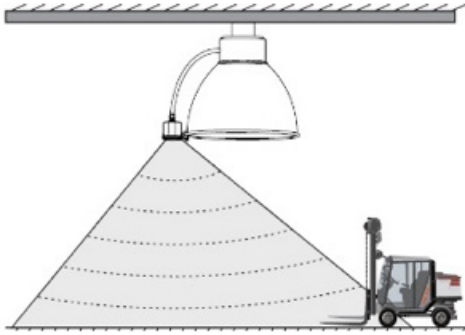


240 Watt / 100° Reflector



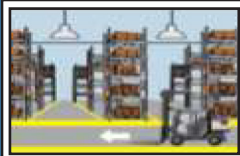
Unit: mm

Motion Sensor



HIGH BAY INDUSTRIAL SERIES

Motion Detection



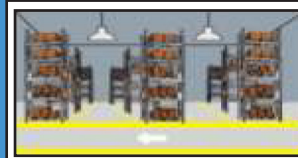
With sufficient ambient light, the sensor does not turn the fixture on.



After hold time, the sensor dims the fixture to a low light level if no new motion is detected.



With insufficient ambient light, the sensor turns the fixture on when motion is detected.



After stand-by-period, the sensor turns off the fixture if no motion is detected in its zone.

This 3-Step Dimming/Daylight Sensor provides a simple energy-saving solution to use light only when and where you need it. The motion sensor can be mounted at a maximum of 49 feet above the ground and still detect moving objects within as 2,500 square foot area. This sensor also has a daylight sensor for even more added lighting customization and energy savings.

