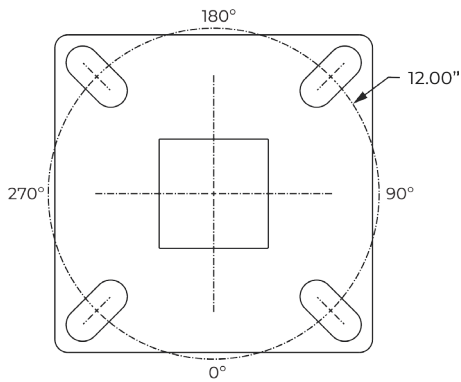
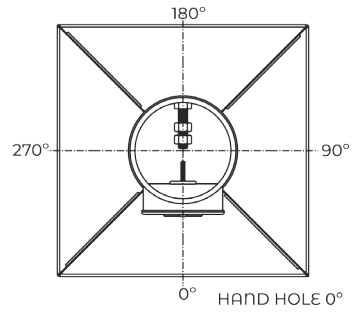


9" Sq. Base plate



12" Sq. Base Plate

Pole EPA								
Maximum EPA (ft) allowance								
Height	Pole Dia.	Size	Base Plate	Bolt Circle	Bolts	80mph	90mph	100mph
8'	4" OD	.125	3/4" X 9" SQ	9"-3/16	3/4" X 24"		11.4	9.0
10'	4" OD	.125	3/4" X 9" SQ	9"-3/16	3/4" X 24"	10.3	7.8	6.0
12'	4" OD	.125	3/4" X 9" SQ	9"-3/16	3/4" X 24"	8.2	6.0	4.5
12'	5" OD	.188	3/4" X 9" SQ	9"-3/16	3/4" X 24"	11.6	8.7	6.5
14'	4" OD	.125	3/4" X 9" SQ	9"-3/16	3/4" X 24"	7.1	4.8	2.8
14'	5" OD	.188	3/4" X 9" SQ	9"-3/16	3/4" X 24"	10.0	7.5	5.5
15'	4" OD	.125	3/4" X 9" SQ	9"-3/16	3/4" X 24"	9.6	7.4	5.6
15'	5" OD	.188	3/4" X 9" SQ	9"-3/16	3/4" X 24"	14.8	11.6	8.8
16'	4" OD	.125	3/4" X 9" SQ	9"-3/16	3/4" X 24"	8.3	6.0	4.4
16'	5" OD	.188	3/4" X 9" SQ	9"-3/16	3/4" X 24"	13.7	10.4	7.6
18'	4" OD	.125	3/4" X 9" SQ	9"-3/16	3/4" X 24"	6.2	3.6	1.7
18'	5" OD	.188	3/4" X 9" SQ	9"-3/16	3/4" X 24"	11.7	8.2	6.4
20'	4" OD	.125	3/4" X 9" SQ	9"-3/16	3/4" X 24"	12.4	8.2	5.3
20'	5" OD	.188	3/4" X 9" SQ	9"-3/16	3/4" X 24"	9.8	7.0	5.0

Proudly Manufactured and Assembled in the USA