



CLP-BELL Series

LED Architectural Fixture

DESIGN - QUALITY



Crystal 
Lighting

All products are proudly manufactured and/or assembled in the USA

CLP-BELL Series Architectural LED Fixture



CLP-BELL, is ideal for locations such as Residential, Walkways, Perimeters, School Campuses, Industrial/Commercial Spaces, and any other Outdoor setting that is looking to create an inviting and sophisticated atmosphere. CLP-BELL has a Wide Light Distribution. CLP-BELL included a 10 year/100,000 hour limited warranty with your investment.

FEATURES

- Energy Savings: Over 60% compared to HID light sources.
- Warranty: Comes with a limited 10 Year Warranty.
- Utilizes high efficient Phillips® Lumileds LED's.
- Operating temperatures: -30°C ~ 60°C.
- Driver: 0-10v dimmable programmable Phillips driver, 120-277v, 50/60Hz.
- Suitable for wet locations.
- Electrical Protection: Comes with a Philips 10Kv surge protector.
- Operating Life: 200,000 hours (L70).

CONSTRUCTION.

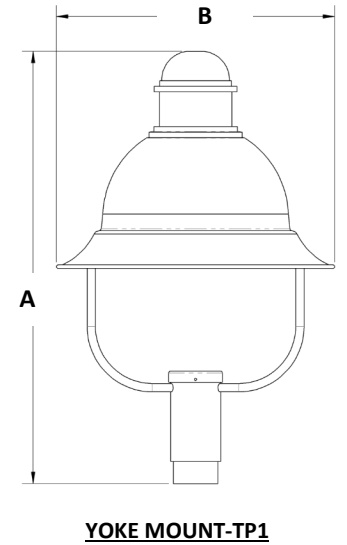
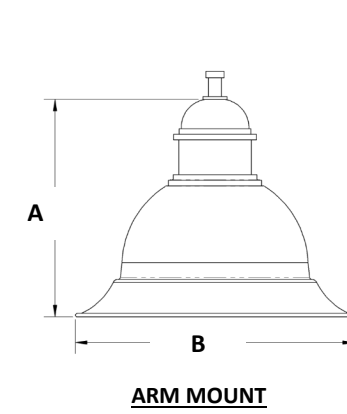
- Housing is formed with aluminum material and IP65 rated.
- Mounts onto 3" Pole - Consult factory for other sizes.
- Powder coat Bronze, various colors available (custom).
- 98% Efficient Optics - Full choice of light distributions for design.
- Cast Aluminum top for additional support.



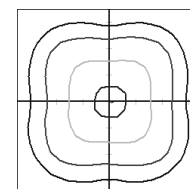
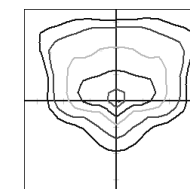
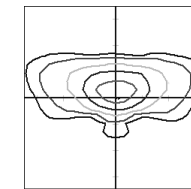
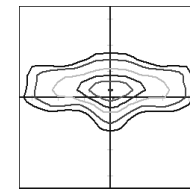
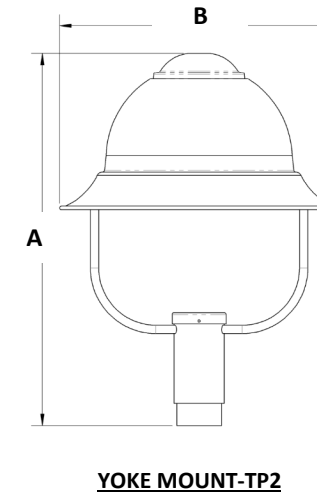
CAT #	TOP/SHADE	MOUNTING	TYPE	WATTS	COLOR TEMP.	VOLTAGE	COLOR	OPTIONS
CLP-BELL-M	TOP	ARM MOUNT (AM)	TYPE 2 (TP2)	40W (40CLED)	3000K (30K)	120-277V (MV)	BLACK (BLK)	OCCUPANCY SENSOR (OCS)
-----	TOP 1 (TP1)		TYPE 3 (TP3)	50W (50CLED)	4000K (40K)	347-480V (48)	WHITE (WH)	BUTTON PHOTO CELL (PC)
CLP-BELL-L	TOP 2 (TP2)	YOKE MOUNT (YM)	TYPE 4 (TP4)	60W (60CLED)	5000K (50K)		BRONZE (BRZ)	WIRELESS CONTROL (WC)
*SHADE1 ONLY	SHADE		TYPE 5 (TP5)	80W (80CLED)			SILVER (SIL)	HOUSE SIDE SHIELDS (HSS)
	SHADE 1 (SH1)			100W (100CLED)			GRAPHITE (GPH)	
	SHADE 2 (SH2)			120W (120CLED)			MARINE GRADE (MG)	
	SHADE 3 (SH3)			150W (150CLED)				
				180W (180CLED)				
				200W (200CLED)				

CLP-BELL Series

Dimensions		
CAT#	A	B
CLP-BELL-M-AM	18"	20"
CLP-BELL-M-PT1-YM	37" 3/8	20"
CLP-BELL-M-PT2-YM	31" 7/8	20"
CLP-BELL-L-AM	20"	25"
CLP-BELL-L-PT1-YM	38" 7/8	25"
CLP-BELL-L-PT2-YM	33" 3/8	25"



EPA	
CAT#	EPA
CLP-BELL-M-AM	1.38
CLP-BELL-M-PT1-YM	1.83
CLP-BELL-M-PT2-YM	1.59
CLP-BELL-L-AM	1.67
CLP-BELL-L-PT1-YM	2.14
CLP-BELL-L-PT2-YM	1.90



MODEL #	INPUT POWER	LUMEN OUTPUT	LP/W	COLOR TEMP. (CCT)	CRI	RATED LIFE (L70)	INPUT VOLTAGE	INPUT FREQUENCY	HID Equivalent
CLP-BELL-M-40CLED	40W	5,504	122	5000K	70+	>200,000	120-277V	50/60HZ	70w HPS
CLP-BELL-M-50CLED	50W	6,880	125	5000K	70+	>200,000	120-277V	50/60HZ	100w MH
CLP-BELL-M-60CLED	60W	8,256	127	5000K	70+	>200,000	120-277V	50/60HZ	150w PSMH
CLP-BELL-M-80CLED	80W	9,590	119	5000K	70+	>200,000	120-277V	50/60HZ	175w HPS
CLP-BELL-M-100CLED	100W	12306	123	5000K	70+	>200,000	120-277V	50/60HZ	250W PSMH
CLP-BELL-M-120CLED	120W	16012	133	5000K	70+	>200,000	120-277V	50/60HZ	310w HPS
CLP-BELL-M-150CLED	150W	19098	127	5000K	70+	>200,000	120-277V	50/60HZ	400w PSMH
CLP-BELL-L-180CLED	180W	23429	130	5000K	70+	>200,000	120-277V	50/60HZ	500WPSMH
CLP-BELL-L-200CLED	200W	26686	137	5000K	70+	>200,000	120-277V	50/60HZ	750WPSMH

All products are proudly manufactured and/or assembled in the USA