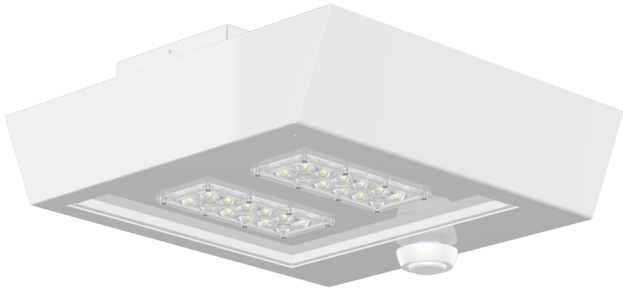




PROJECT NAME			
TYPE		DATE	
NOTES			

Century

Ceiling/Pendant Mount



The CLC-CENTURY is perfect for illuminating interior locations such as: parking garages, canopies, and industrial/commercial spaces. This garage light fixture is designed for wet locations and includes a wide light distribution.

-10 year / 100,000hrs Limited Warranty.

FEATURES.

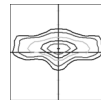
- Optical System designed for Parking Garages
- Energy Savings: Over 60% compared to HID light sources
- Improved lumen maintenance
- Utilizes high efficient Phillips Lumiled LED's
- Operating temperatures: -30°C ~ 60°C
- Driver: 0-10v dimmable programmable Phillips driver, 120-277v, 50/60Hz,
- Suitable for wet locations
- occupancy sensors, photo cell (optional)
- Operating Life: 200,000 hours (L70)

CONSTRUCTION.

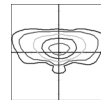
- Housing is formed with aluminum material
- Silicone Gasket to provide IP65 Protection
- 3mils Powder Coat (various colors available.)



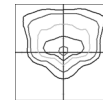
OPTIC DISTRIBUTION



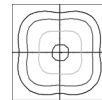
TYPE 2 (T2)



TYPE 3 (T3)



TYPE 4 (T4)



TYPE 5 (T5)

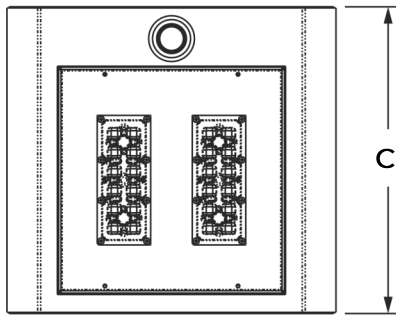
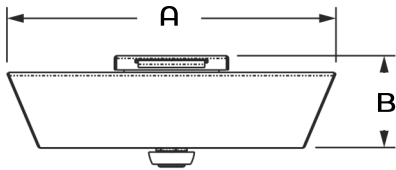
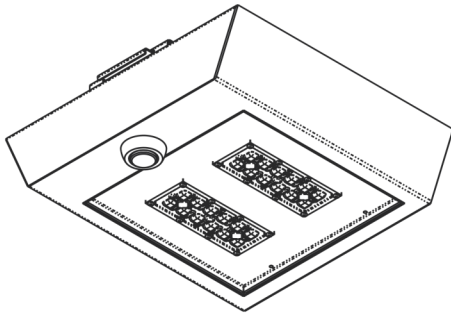
Example: (CNT-CM-40CLEd-50-MV-WH-PC)



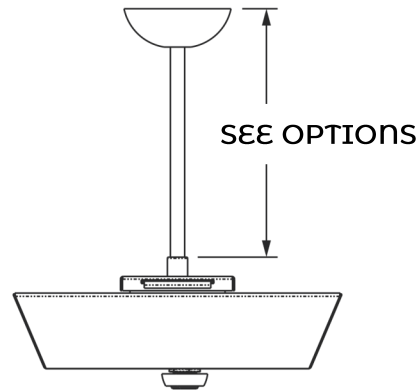
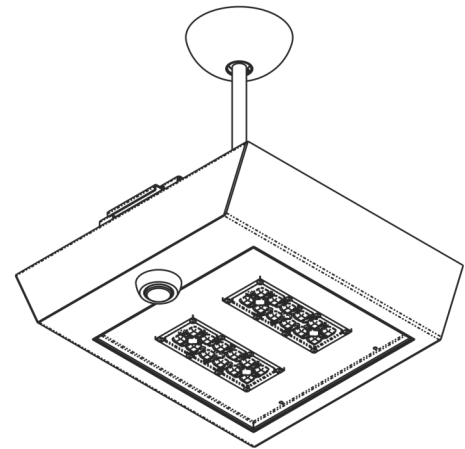
Project:						
CAT #	WATTS	KELVIN	VOLTAGE	FINISH	MOUNTING	OPTIONS
Century (CNT)	20W (20CLEd)	3000K (3K)	MULTI-VOLT (MV)	BRONZE (BZ)	Ceiling Mount (CM)	MOTION SENSOR (OCC)
	30W (30CLEd)	4000K (4K)		GRAPHITE (GPH)	Pendant Mount	BUTTON PHOTO CELL (PC)
	40W (40CLEd)	5000K (5K)		BLACK (BLK)	12" (PM12)	EMR. BATTERY (EMR)
	60W (60CLEd)			WHITE (WH)	24" (PM24)	WIRELESS CON- TROL(WC)
	70W (70CLEd)			CUSTOM (CST)	36" (PM36)	
	80W (80CLEd)					
	100W					

All products are proudly manufactured and/or assembled in the USA

CNT-CM



CNT-PM



Dimensions					
CAT#	A	B	C		EPA
CNT-CM	5" 7/8	17" 3/8	16"		.53
CNT-PM12	5" 7/8	17" 3/8	16"	12	.60
CNT-PM24	5" 7/8	17" 3/8	16"	24	.67
CNT-PM36	5" 7/8	17" 3/8	16"	36	.74

Cat #	Input Power	Lumen Output	LPW	Color Temp (CCT)	CRI	Input Voltage	Input Frequency
CNT-CM-30CLED	35W	5,222	174	5000K	70+	120-277V	50/60HZ
CNT-CM-40CLED	45W	6,496	162	5000K	70+	120-277V	50/60HZ
CNT-CM-50CLED	55W	7,320	146	5000K	70+	120-277V	50/60HZ
CNT-CM-60CLED	65W	9340	155	5000K	70+	120-277V	50/60HZ
CNT-CM-70CLED	75W	9,986	142	5000K	70+	120-277V	50/60HZ
CNT-CM-80CLED	85W	12,982	162	5000K	70+	120-277V	50/60HZ
CNT-CM-100CLED	105W	14,640	146	5000K	70+	120-277V	50/60HZ