

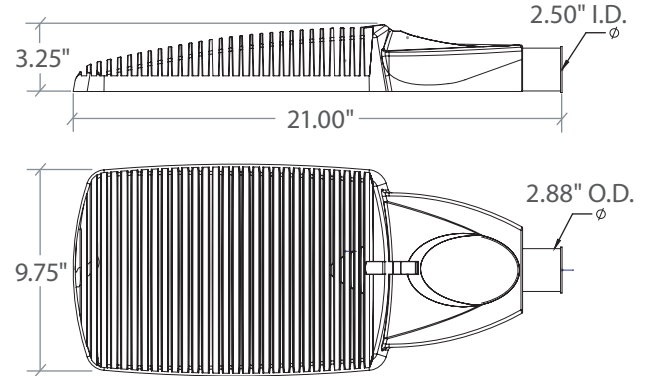


Not all products are qualified on the DLC QPL. To view our DLC qualified products, please consult the DLC Qualified Products List at www.designlights.org/qpl

** AVAILABLE **

0 - 10V

FULL DIMMING



Incredible **100,000** hrs

GENERAL DESCRIPTION

Neptun's Kometa™ Mini LED Street Light fixtures combine architectural form and versatility to make it an excellent choice for new construction or retrofit applications. The Kometa fixture is offered in a variety of wattages to provide maximum flexibility in all types of applications. Custom engineered Type II optics provide excellent uniformity and efficiency. It can replace existing HID & HPS fixtures up to 175W.

APPLICATION

- Street Lighting
- Pathway Lighting
- Parking Lot Lighting
- Security Lighting
- Storage Area Lighting

STRUCTURE, MATERIALS, & FEATURES

- Heavy-gauge, die-cast aluminum housing with cooling fins.
- Corrosion resistant electrocoat grey finish (custom colors available).
- Slim, state of the art, low profile design for minimum wind load resistance.
- Heat and impact resistant tempered flat glass lens. (IESNA full-cutoff)
- Toolless entry gear box for easy maintenance and installation.
- Continuous silicone gasket surrounds lens for IP66 weather tight seal.
- Optional NEMA Twist lock Photocell for increased energy savings.
- High Output LED's.
- High power factor, low THD driver with 6kV/3kA surge protection.
 - Optional 20kV/10kA surge protector available.
- InstantON flicker-free Cold Start and Hot Re-Start.
- Up to 15 years Maintenance free operation.
- 5 Year Warranty on complete fixture. (LED's, Driver, & Housing)
- **Optional:** 0-10V Dimming, Remote Monitoring and ON/ OFF Control, DC 24V Operation - Solar Compatible

ORDERING INFORMATION

Sample Number: LED-451040-UNV-0-10VDIM-850-LD-T2A-GRY
 Custom options and accessories available. Please consult factory

Series	Wattage	Voltage	Options	Color Temp	Accessories	Optics	Color
LED-451 = Street Light	040 = 40 W 050 = 50 W 060 = 60 W 080 = 80 W	UNV = 120-277 VAC 347V = 347 VAC 480V = 480 VAC 24VDC = 24 VDC	0-10VDIM = 0-10V Dimming * Contact factory for dimming options	835 = 3500°K 841 = 4100°K 850 = 5000°K * * Standard	LD = NEMA Twist-Lock Photocell & Receptical LDR-3P = 3-Pin Photocell Receptical LDR-7P = 7-Pin Photocell Receptical SP = 20kV/10kA surge protector HSGS = House Side Glare Shield LGN = Light Genie Node * * Contact factory for product Information	T2A = Type 2 Asymmetrical	GRY = Grey * Custom Colors Available



PRODUCT INFORMATION

Model No.	Description	Rated Watts	Input Watts	Delivered Lumens	Universal Line Voltage (VAC)	Max Line Current (Amp) 120 - 277	THD	Power Factor	Weight
LED-451040-UNV	LED Street Light Fixture	40	42	4,000	120-277	0.34 - 0.15	<20%	>0.90	18 lbs
LED-451050-UNV	LED Street Light Fixture	50	52	5,000	120-277	0.43 - 0.18	<20%	>0.90	18 lbs
LED-451060-UNV	LED Street Light Fixture	60	62	6,000	120-277	0.52 - 0.22	<20%	>0.90	18 lbs
LED-451080-UNV	LED Street Light Fixture	80	82	8,000	120-277	0.69 - 0.30	<20%	>0.90	18 lbs

SPECIFICATIONS

- Driver Constant Current
- Start Method InstantON
- Hot Re-start InstantON
- Power Supply 350mA
- Driver UL Rating Class 1
- Driver UL Outdoor Rated Wet Location
- Sound Rating Class A
- ANSI Surge Protection IEEE C62.41 C High
- Current Crest Factor 1.5 maximum
- Load Regulation: 5% output current variation across load range
- Line Regulation: 1% output voltage variation across voltage range
- Driver Off-State Draw 0 Watts
- Vibration Compliance 3G
- Universal Input Line Voltage 120-277 VAC
- Input Line Frequency 50/60 Hz
- Projected (L70) @ 25°C > 100,000 hrs.
- Color Temperature Multiple
- Color Rendering Index (CRI) > 80
- Minimum Starting Temperature -40°C
- Maximum Starting Temperature +50°C
- Lumens per Watt > 80
- Shock / Vibration Resistant Yes
- Power Factor > 0.90
- Total Harmonic Distortion < 20%
- Inrush Current Peak < 10 Amp
- FCC Compliance Part 15, Subp. C
- ETL Listed / UL Standard 1598 Yes
- EPA Rating 0.47 ft.²
- Housing IP Rating IP65
- Driver IP Rating IP67
- Optics IP Rating IP66
- Warranty 5 Year

MOUNTING OPTIONS

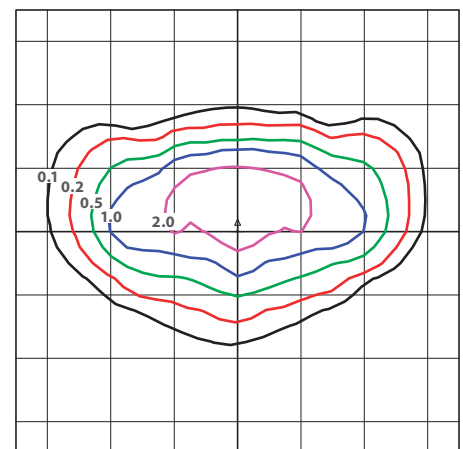


Accepts
1-1/4" - 2-3/8" O.D.
Tenon or Pipe



(2) 5-16" Stainless Steel Bolts

PHOTOMETRICS (See Complete IES File)



Horizontal Footcandles
Scale: 1 Hash = 20 Ft.
Light Loss Factor = 1.00
Total Lamp Lumens = 6292.1
Mounting Height = 25.00 Ft., Tilt = 5 Degrees
Maximum Calculated Value = 3.83 Fc
Arrangement: Single

NEPTUN LIGHT, INC.
LED-451080-UNV-850-T2A