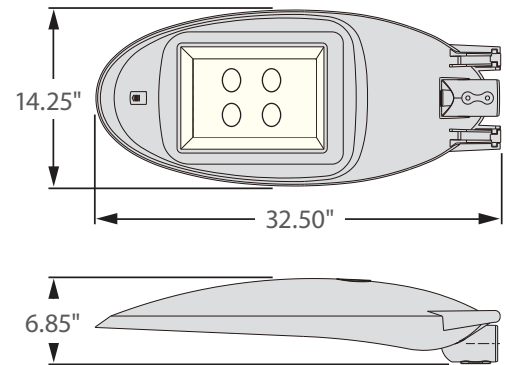




**\*\* AVAILABLE \*\***  
**0 - 10V**  
**FULL DIMMING**



Incredible **100,000 hrs**

## GENERAL DESCRIPTION

Neptun's LED street light fixtures combine architectural form and versatility to make it an excellent choice for new construction or retrofit applications. The LED-882 series fixture is offered in a variety of wattages to provide maximum flexibility in all types of applications. The High output LED's and custom engineered optics provide excellent uniformity and efficiency. It can replace existing HID & HPS Street Light fixtures up to 250W.

## APPLICATION

- Street Lighting
- Walkway Lighting
- Area Lighting
- Security Lighting

## STRUCTURE, MATERIALS, & FEATURES

- Heavy-gauge, die-cast aluminum housing with concealed cooling fins.
- Corrosion resistant electrocoat finish (custom colors available).
- Slim, state of the art, low profile design for minimum wind load resistance.
- Continuous silicone gasket surrounds lens for IP68 weather tight seal.
- Optional NEMA Twistlock Photocell for increased energy savings.
- Tool-Less entry housing w/ quick disconnect for easy installation.
- Internal Bubble Level for easy installation.
- High Output COB LED's with borosilicate glass lens optics.
- High power factor, low THD driver with 6kV/3kA surge protection.  
 Optional 20kV/10kA surge protector available.
- InstantON flicker-free Cold Start and Hot Re-Start.
- Up to 15 years Maintenance free operation.
- 10 Year Warranty on complete fixture. (LED's, Driver, & Housing)
- **Optional:** 0-10V Dimming, Wi-Fi Control, Remote Monitoring and ON/ OFF Control, DC 24V Operation - Solar Compatible

## ORDERING INFORMATION

Sample Number: LED-882100-L4-UNV-0-10VDIM-850-LD-GRY  
 Custom options and accessories available. Please consult factory

Series	Wattage	Voltage	Options	CCT	Accessories	Optics	Color
LED-882 = Street Light	100-L4 = 100 W 110-L4 = 110 W 120-L4 = 120 W	UNV = 120-277 VAC 347V = 347 VAC 480V = 480 VAC 24VDC = 24 VDC * * Offered in 100W only	0-10VDIM = 0-10V Dimming * Contact factory for dimming options	830 = 3000°K 835 = 3500°K 841 = 4100°K 850 = 5000°K	LD = NEMA Twist-Lock Photocell & Receptical LDR-3P = 3-Pin Photocell Receptical LDR-7P = 7-Pin Photocell Receptical SP = 20kV/10kA surge protector HSGS = House Side Glare Shield LGN = Light Genie Node * * Contact factory for product Information	T2 = Type 2 T2N = Type 2N	GRY = Grey BRZ = Bronze * Custom Colors Available



## PRODUCT INFORMATION

Model No.	Description	Rated Watts	Input Watts	Delivered Lumens	Universal Line Voltage (VAC)	Max Line Current (Amp) 120 - 277	THD	Power Factor	Weight
LED-882100-L4-UNV	Street Light Fixture	100	102	12,000	120-277	0.52 - 0.22	<20%	>0.90	25 lbs
LED-882110-L4-UNV	Street Light Fixture	110	112	13,200	120-277	0.61 - 0.26	<20%	>0.90	25 lbs
LED-882120-L4-UNV	Street Light Fixture	120	122	14,400	120-277	0.69 - 0.30	<20%	>0.90	25 lbs

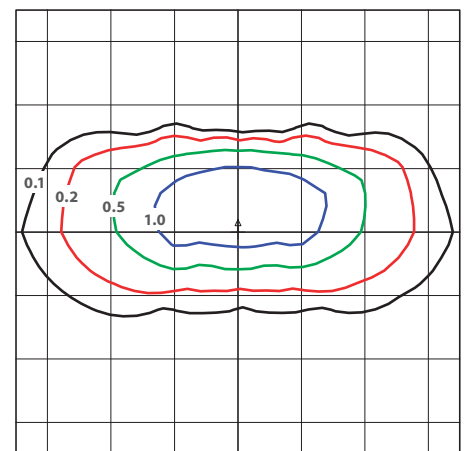
## SPECIFICATIONS

- Driver ..... Constant Current
- Start Method ..... InstantON
- Hot Re-start ..... InstantON
- Power Supply ..... 350mA
- Driver UL Rating ..... Class 1
- Driver UL Outdoor Rated ..... Wet Location
- Sound Rating ..... Class A
- ANSI Surge Protection ..... IEEE C62.41 C High
- Current Crest Factor ..... 1.5 maximum
- Load Regulation: 5% output current variation across load range
- Line Regulation: 1% output voltage variation across voltage range
- Driver Off-State Draw ..... 0 Watts
- Vibration Compliance ..... 3G
- Universal Input Line Voltage ..... 120-277 VAC
- Input Line Frequency ..... 50/60 Hz
- Projected (L70) @ 25°C ..... > 100,000 hrs.
- Color Temperature ..... Multiple
- Color Rendering Index (CRI) ..... > 80
- Minimum Starting Temperature ..... -40°C
- Maximum Starting Temperature ..... +50°C
- Lumens per Watt ..... > 100
- Shock / Vibration Resistant ..... Yes
- Power Factor ..... > 0.90
- Total Harmonic Distortion ..... < 20%
- Inrush Current Peak ..... < 10 Amp
- FCC Compliance ..... Part 15, Subp. C
- EPA Rating ..... 0.50 ft.<sup>2</sup>
- Housing IP Rating ..... IP65
- Driver IP Rating ..... IP67
- Optics IP Rating ..... IP68
- Warranty ..... 10 Year

## MOUNTING OPTIONS



## PHOTOMETRICS (See Complete IES File)



Horizontal Footcandles  
 Scale: 1 Hash = 35 Ft.  
 Light Loss Factor = 1.00  
 Total Lamp Lumens = 12094.08  
 Mounting Height = 35.00 Ft., Tilt = 5 Degrees  
 Maximum Calculated Value = 1.56 Fc  
 Arrangement: Single

NEPTUN LIGHT, INC.  
 LED-882100-L4-UNV-850