

## Applications

This luminaire can be used as spot light, down light and tunnel light which can provide general illumination in hazardous locations, such as:

- Refinery factory
- Oil and gasoline loading dock
- Gas station
- Painting manufacture workshop
- Pumping station
- Metal Smelting Plant
- Mining
- Ocean platform
- Aerospace
- Chemical plant
- Vessel
- Military
- Flour mill
- Distillerie
- Power station
- Other high humidity, high temperature, dusty location...



E Series

## Features

- High efficacy: up to 140lm/W
- CRI>70
- Surface mounting and pendant installation
- Wide and narrow optics for uniform illumination
- Copper free aluminum
- High vibration resistance

## Ratings and Certifications

- **NEMA 4X, IP66**
- **UL 1598/UL 1598A/UL 844**
- **CSA C22.2 No.137/No.250.0**  
**Class I, Division 1, Groups C,D**  
**Class I, Division 2, Groups A,B,C,D**  
**Class II, Division 1, Groups E,F,G**  
**Class II, Division 2, Groups E,F,G**  
**Class III**
- **Marine and Wet Locations**
- **IECEX**
- **ATEX**
- **5 years or other warranty period specified in agreement**
- **L70 rating for more than 150000 hours**



## Typical Model Specification

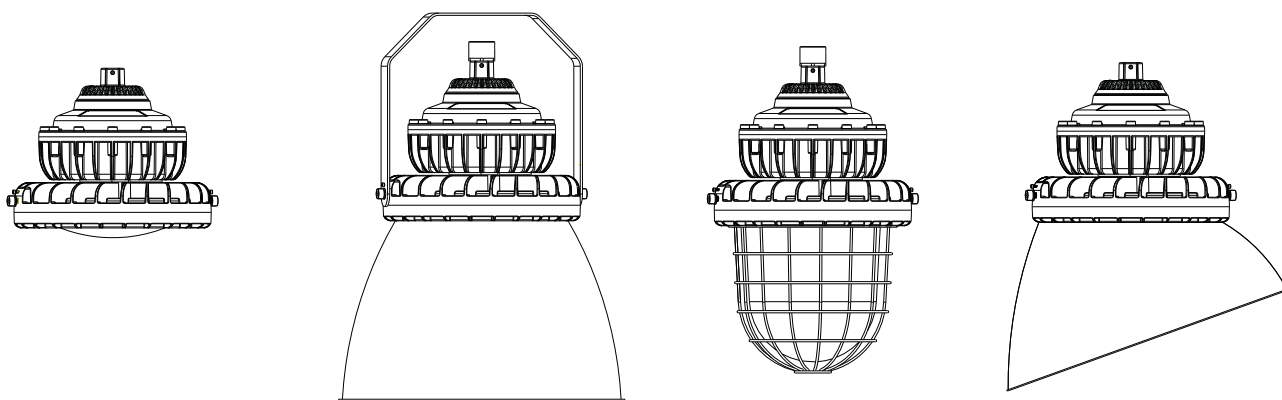
Product Number	Wattage	CCT	Voltage	Lumens	Working Hours	CRI
EX-40W EYZDA	40	4000K-5700K	AC90-295V	5600	5 years	70
EX-60W EYZDA	60	4000K-5700K	AC90-295V	8400	5 years	70
EX-80W EYZDA	80	4000K-5700K	AC90-305V	11200	5 years	70
EX-100W EYZDA	100	4000K-5700K	AC90-305V	14000	5 years	70
EX-120W EYZDA	120	4000K-5700K	AC90-305V	16800	5 years	70
EX-150W EYZDA	150	4000K-5700K	AC90-305V	21000	5 years	70

"E"=Product series "Y"=D or N:Dimmable or non-dimmable "Z"= CCT, from 4000~5700K "D"=Beam angle: 40°, 60°, 90°, 120°, 140°

## Mechanical Information

	Size (in)
AC90-295V models	∅ 14x12.3
AC90-305V models	∅ 14x12.3

## Structure Diagram





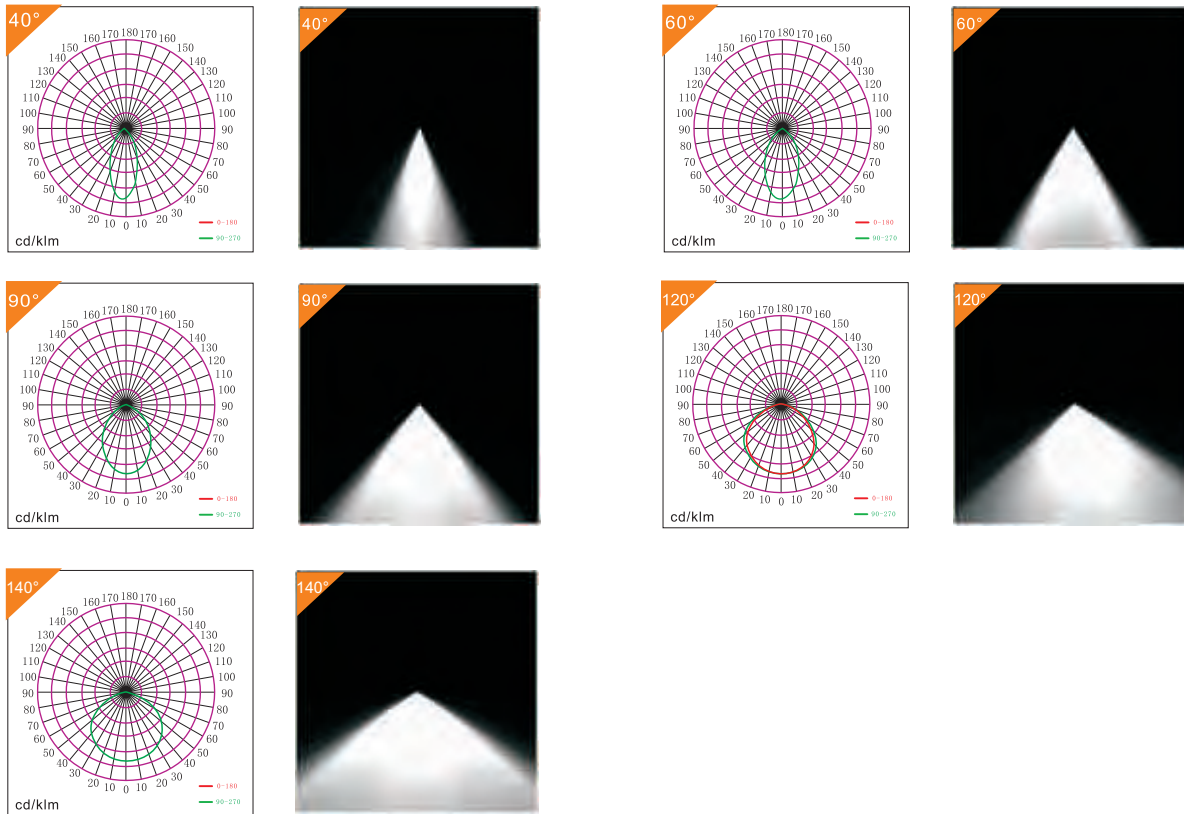


Safe.  
Reliable.  
Efficient.

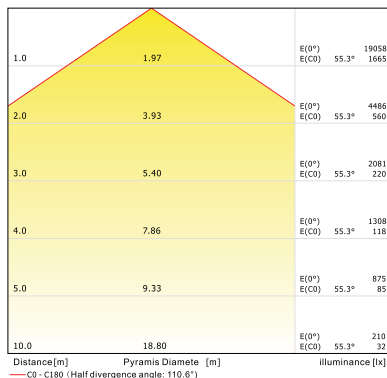
The unique light distribution design, light type and angle precision control of the LED light source, to avoid light pollution and ineffective utilization of light; soft light, no glare, will not cause eye fatigue of workers, improve working efficiency.

## Professional Light Distribution

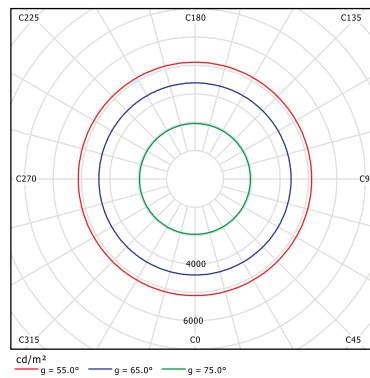
### Light Distribution Pattern



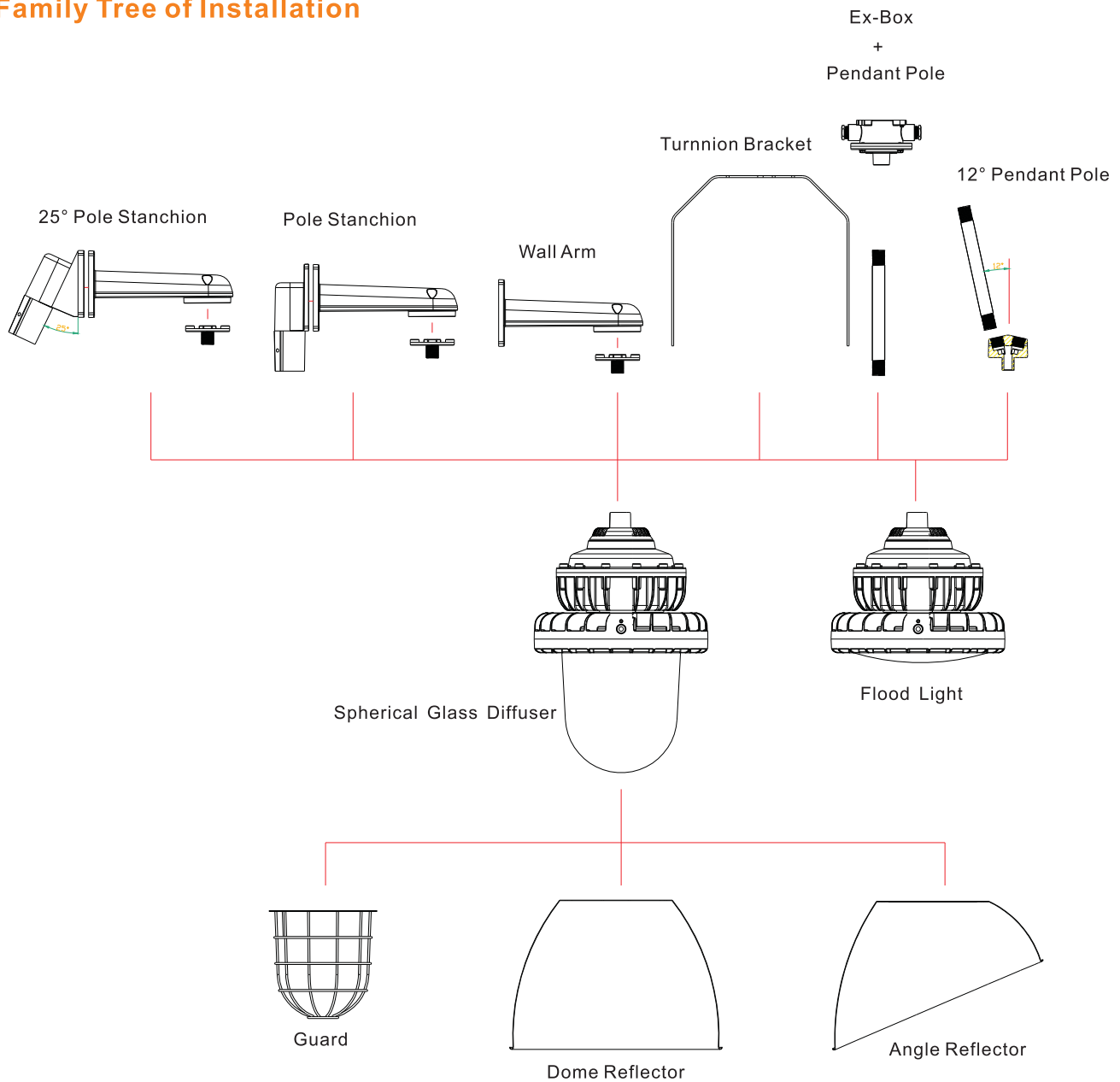
### Light intensity curve(150W)



### Plane illuminance curve



## Family Tree of Installation



Adaptor	Conduit	Catalog No.
25° Pole Stanchion	3/4" or 1" NPT	25 DPS
Pole Stanchion	3/4" or 1" NPT	PS
Wall Arm	3/4" or 1" NPT	WA
Turnnion Bracket	Expand Screw	TB
Pendant Pole	Use Ex-Box	PP
12° Pendant Pole	3/4" or 1" NPT	12 DPP
Ex-Box	3/4" NPT	EB