

GYJ series

Explosion proof Siren

GYZD series


Explosion proof Obstruction Light




■ Features:

- Zone 1&2, Zone 21&22
- Housing is made of die-cast aluminum, with epoxy sprayed
- With integrated chip, with a variety of protection circuits, synchronization of multiple lamps can be achieved through the synchronization of the signal line connection
- Can be equipped with solar panels powered by solar energy, using more than 15 hours on a single charge

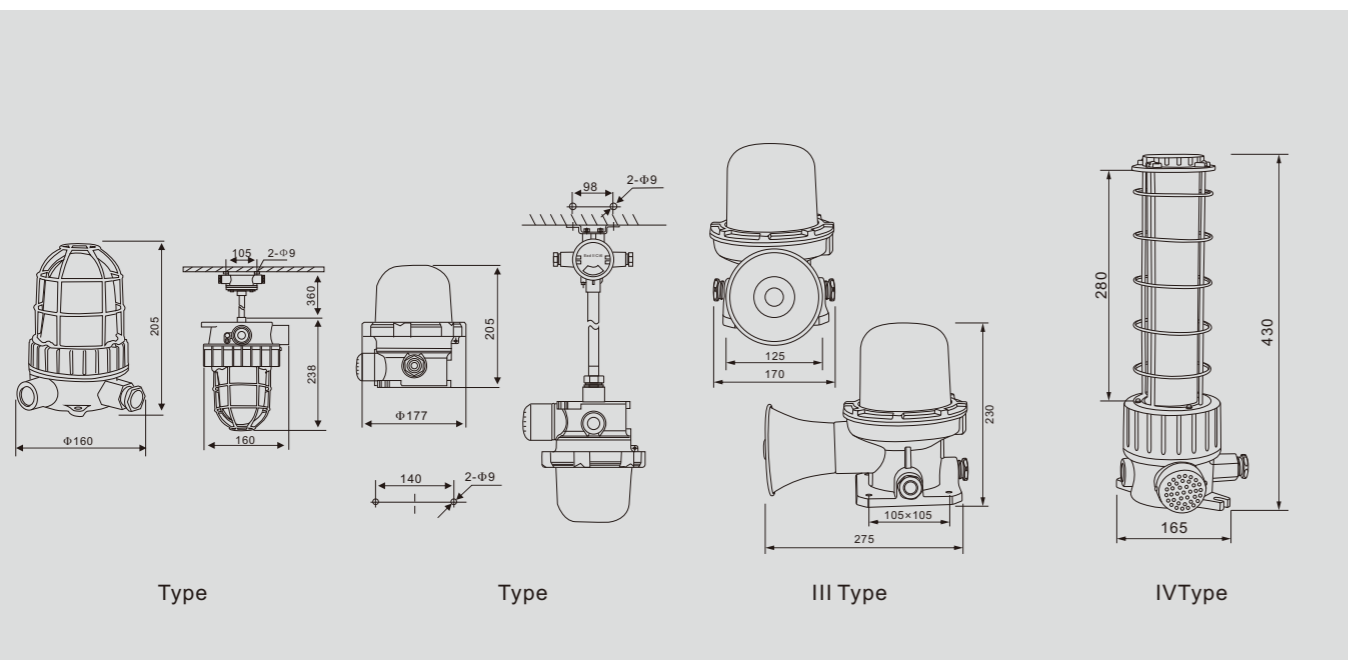
Technical Parameters

Type	GYJ-I	GYJ-II	GYJ-III	GYJ-IV
European (ATEX) 	CE 1282 ^{Ex} II 2G Ex d e IIC T6 Gb			
Gas and Dust	CE 1282 ^{Ex} II 2D Ex tb Db			
Input voltage	AC220V/DC24V/ DC36V			
Degree of protection	IP66			
Power consumption [W]	3	5	10	5
Sound Intensity [dB]	90	120	180	120
Flash Frequency	150 times/Min			
Color	Red/Yellow/Blue/Green			
Weight	1.8	2.7	3.7	2.5
Mounting Styles	Wall Bracket; Base			

Technical Parameters

Type	GYZD81-I	GYZD81-II	GYZD81-III
European (ATEX) 	CE 1282 ^{Ex} II 2G Ex d e IIC T6 Gb		
Gas and Dust	CE 1282 ^{Ex} II 2D Ex tb Db		
Input voltage	220VAC, 50Hz		
Degree of protection	IP66		
Synchronized Flashing (Wireless)	Optional		
With solar panel	Optional		
Light color	Red		
Effective Luminous Intensity	Low intensity >200cd	Medium Intensity >2000cd	High Intensity >20000cd
Power consumption [W]	<8 W	<40 W	<100W
Light Source	LED	LED	Xenon lamp
Flash Rate (flash per minute)	20-60	20-60	16-60
Weight [kg]	2.8	4.8	6.0
Mounting Styles	Wall Mount; Base Mount		

Dimension & Installation [mm]



Dimension & Installation [mm]

