

# Solar Powered OB Series LED Warning Light



**Manufacture Compliance:**

- ICAO Annex 14, Volume I, 6th Edition, July, 2013
- ICAO Aerodromes Design Manual, Chapter 18
- FAA AC150/5345-43G, L-810
- FAA Engineering Brief 67 Specifications

Obstruction:	Airfield:	Marine:
· Telecom	· Airstrip	· Port
· Cranes	· Taxiway edge	· Vessel
· Buildings	· Helipads	· Yacht
· Barricade		· Buoy

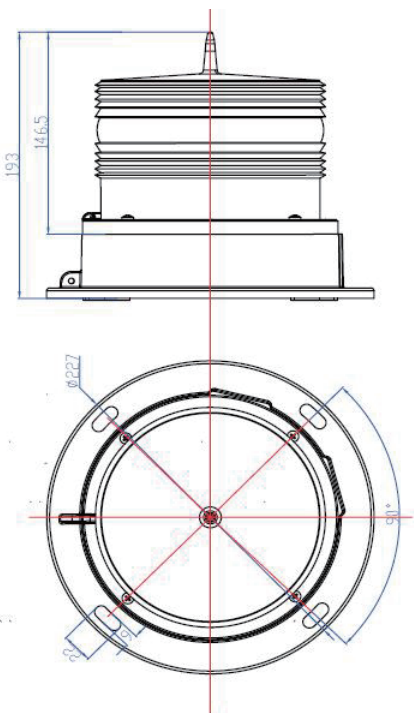
**Advantages:**

- Free maintenance.
- ON/OFF switch.
- Very portable, easy transportation and installations.
- Autonomy more than 7 days without sunshine.
- Low power consumption 4.8Watts max.

**Physical Features:**

- Housing: A:Polycarbonate/B:casting aluminum
- Outer lens.: polycarbonate.
- Overall size:  $\phi 22.7\text{cm} \times 19.3\text{cm} (\phi 8.9'' \times 7.6'')$ .
- IP rating: IP67.
- Weight: 2.5KG.
- Operating:  $-40^{\circ}\text{C}$  to  $60^{\circ}\text{C}$ .
- Wind speed: 80m/s.

**Mounting:**



**Order Optional:**

- Flash frequency user adjustable 20/30/60 FPM as an option.
- Dry contact relay built in, report failure function.
- 2.4G wireless module built in, report failure function. (Light and receiver <100m distance)

**Electrical Features:**

- Lamp:100,000 hours high quality.
- Color:Red,blue,green,yellow,white.
- Autonomy: 7 days.
- Light intensity: >30cd nighttime.
- Output:360° horizontal; >10° vertical.
- Photo sensor:70Lux/100Lux

**Solar Features:**

- Battery: 8AH Nimh battery.
- Panels: 1x1.8W monocrystalline silicon panel on top.

**Package:**

- 60x60x32CM, 4PCS/CTN.
- 12KG/CTN Gross Weight.

**Storage:**

- Users shall leave the light out of warehouse and charge battery every 3 month when the light is in storage.

**Types Available:**



A: PC(Polycarbonate) base. B: Aluminum alloy base.

**Order Model No:**

- OB10S+Flash/Steady+Type A.B : 10cd type.
- OB32S+Flash/Steady+Type A.B : 32cd type.