

Airport Rotating Beacon

AH-HP-R3



The Airport beacon shall be located on or adjacent to the heliport preferably at an elevated position and so that it does not dazzle a pilot at short range.

This Rotated beacons is for night operation as identification and location markers for airports.

Compliance

- FAA AC/150-5390-2B
- ICAO Annex 14 Volume I 5.3.2

Features

- 100,000 hour typical lamp life.
- One white color, another yellow color, the third is green color
- No maintenance
- All moving parts are permanently lubricated.
- Impedance-protected motor eliminates burnouts.
- 12RPM rotation, 36 flashes/minute.
- Weatherproof stainless steel cabinet, powder-coated international yellow.

APPLICATION



Application

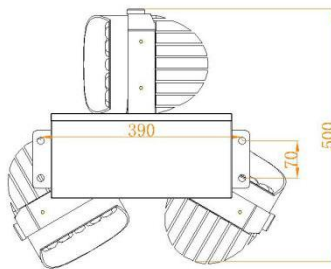
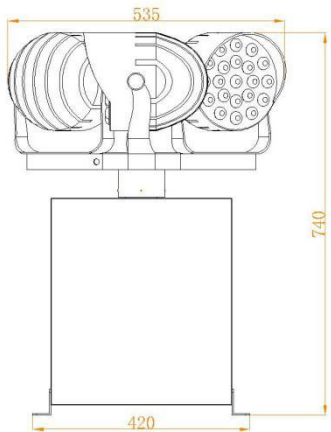
- Heliport/Heliport/Helideck
- Airport



Airport Rotating Beacon

AH-HP-R3

Dimension(mm)



SPECIFICATIONS

AH-HP-R3 Airport Rotating Beacon

Light Characteristics

Light Source	LED
Colors	White and green and Yellow(others are optional)
Flash Characteristics	36 flashes per minute
Operation Mode	Steady burning
LED Life Experience(hours)	>100,000

Electrical Characteristics

Operating Voltage	220/240AC
Circuit Protection	Integrated

Physical Characteristics

Body Material	UV protected Polycarbonate
Base Material	Powder-coated stainless steel 304
Mounting	390×70×θ12
Dimension(mm)	535×500×740
Weight(kg)	25
Product Life Expectancy	Average 5 years

Environmental Factors

Ambient Temperature(°C)	-55~65
Humidity	10~90%
Wind Speed	80m/s
Waterproof	IP65

Compliance

FAA	L-864, AC/150-5390-2B
ICAO	ICAO Annex 14 Volume I 5.3.2

Optional

Photocell control