

HL-50 LED 8" Flush Heliport Perimeter Inset Light

HL-50 flush heliport light proved to be reliable quality and installed at all kinds of helipads worldwide.

Heliport Perimeter Light is used for night operation, to use omnidirectional green perimeter light lit up the heliport TLOF/FATO edge area.

Applications:

- Helipads at rooftop, surface ground, ships, helidecks, etc.
- Flush mounted marking edge of FATO area or TLOF area
- Flight path alignment lights
- Landing direction lights
- Taxiway edge lights-blue

Compliant:

- ICAO Annex 14, Volume II, 4th Edition, July, 2013
- FAA AC150/5390-2C
- Exceeds FAA Engineering Brief 87 Specifications

Why HL-50:

- Flush type, lens above the grade only 15mm after installations.
- Fixture can be used with 90V~250V AC, 50Hz or 60Hz.
- Marine treated lamp upper body anodized available.
- Base can is integrated in the light, no need additional purchase cost.
- Ingress protection rating IP68.
- Reserved cables at bottom base 1 in-1 out, easy installations.
- Seal components has options for heat or salt-fog environment.

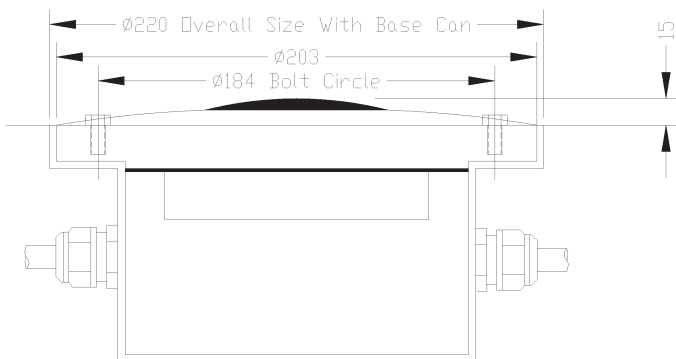
Optical Characteristics:

Elevation angle	Azimuth	Light Intensity
20° to 90°	-180° to 180°	>3cd
13° to 20°	-180° to 180°	>8cd
10° to 13°	-180° to 180°	>15cd
5° to 10°	-180° to 180°	>30cd
2° to 5°	-180° to 180°	>15cd

Electrical Characteristics:

- Power by 90V to 250V AC, or 10V to 30V DC.
- 20 W rated power consumption.
- Green color LED light source 50,000 hours lifetime.
- Dimming of brightness function available with customized controller.
- Switchable dual colors is available with customized controller.

Drawings:



Physical Characteristics:

- Die-casting aluminum body and base can.
- All hardwares shall be stainless steel.
- Powder coating finish for body and base can.
- Impact resistant polycarbonate lens cover.
- Sealed by rubber O ring.
- Diameter standard 8"/20.32cm, bolt circle 7.25inch/18.42cm.
- ø22cm external size with base can, 13cm in height.
- 5.1KG net weight.

Environmental:

- Operating at -40°C to 60 °C.
- Wind speed: 80m/s.

Ordering codes:

Type	Output	Lamp	Treatment
HL-50	G: Green B: Blue R: Red W: White Y: Yellow	AC: 100/250V DC: 10/30V VB: Variable brightness ¹ SC: Switchable dual color ²	MT ³

¹ Variable brightness, 3 level brightness controlled.

² Switchable dual colors, omnidirectional, manual switch to Red/OFF/Green to realize a signal for pilots "Red" close to landing and "Green" available to land.

³ MT type all hardwares on light shall be A4/316, sealing components like corrosion resistant O-rings, and sealants shall be marine type.

