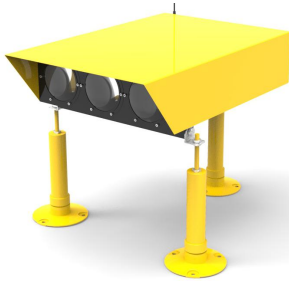


LED Precision Approach Path Indicator

AH-HP-PAPI

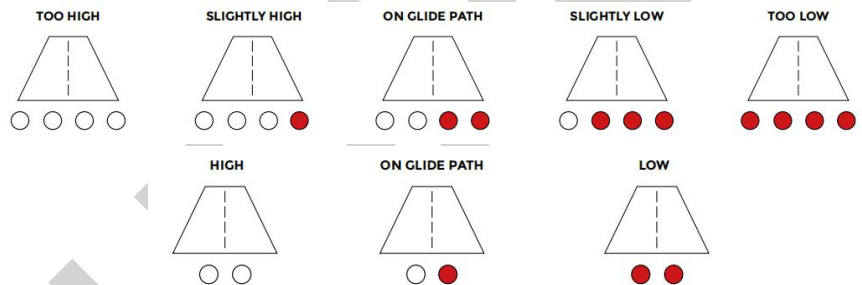


The LED Precision Approach Path Indicator (PAPI) is used to guide aircraft to approach the runway at an appropriate altitude. It is specially designed to accommodate the helicopter's steep angles of descent and deliberate speeds.

There are two Colors which to show two wide horizontal beams in different colored light. And it is projected in fan shaped array into the incoming flight pattern.

Solar power system is optional for PAPI.

PAPI Visual Indication:



APPLICATION



Compliance

- ICAO Annex 14 Volume I 6th Edition dated 2013 clauses, 5.3.5.28 - 5.3.5.40, Figure A2-23 Appendix 1, 2.1.1
- FAA AC 150/5390-2B Heliport Design Guide

Features

Electrical

- LED as light source saving power consumption and maintenance, 95% less power than equivalent incandescent light
- Power supply available in AC(110, 240VAC), DC48V or others

Physical

- Unique designed polycarbonate lens for converging light and also provides corrosion resistance and UV protection.
- UV protection Powder coated bright yellow color base make better visibility
- Housing material is stainless steel which has strong corrosion resistance, Shock and Vibrations protection
- Fragile coupling reduce the secondary damage to helicopters effectively

Optional

- Clinometer
- VHF pilot to ground remote control
- Solar power system

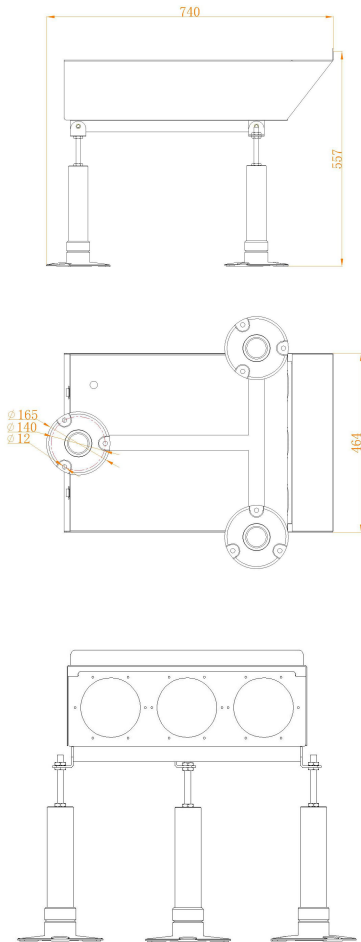
Application

- Permanent, Temporary, Emergency Helipad/Airport/Helideck
- OFFSHORE/ ONSHORE USAGE

LED Precision Approach Path Indicator

AH-HP-PAPI

Drawing(mm)



SPECIFICATIONS

AH-HP-PAPI LED Precision Approach Path Indicator

Light Characteristics

Light Source
Available Colors
Azimuth range(degree)
Working mode
Operation Mode
LED Life Experience(hours)

LED
Red/White
8°
Steady burning
24hours operation
>100,000

Electrical Characteristics

Operating Voltage
Power(W)
Circuit Protection

AC220V
70W*3
Integrated

Physical Characteristics

Body Material
Leg material
Mounting
Dimension(mm)
Weight(kg)

Stainless steel
Die casting aluminum
140x M10
557x740x464
18

Environmental Factors

Ambient Temperature(°C)
Humidity
Wind Speed
Waterproof

-35~80
10~90%
80m/s
IP65

Compliance

ICAO

ICAO, Annex 14th, Volume I, 6th Edition dated 2013, clauses 5.3.5.28 – 5.3.5.40, Figure A2-23 Appendix 1, 2.1.1

Options Available

Solar Power system
VHF Pilot to Ground Remote Control
Wireless Remote Control

Optional: Solar Panel



Power Bank:

