



100W, 150W, and 240W UFO with round driver



320W UFO with brick driver

## Description

The Waterproof UFO High Bay is the most versatile fixture Altech has produced to date. With an IP67 rating, and capable of mounting on the ground and wall, the UHBHO/UHB can do it all.



Not all product variations listed on this page are DLC Premium qualified. To ensure that a specific model is qualified, visit [www.designlights.org/search](http://www.designlights.org/search)

## Applications

Warehouse Lighting  
Shopping Centers

Cold Storage  
Indoor Arenas

Exhibit Halls  
Gymnasiums

## Specs

Efficacy 165 lm/W  
Input Voltage 100-277V  
Finish Black

## Details

IP Rating IP67  
Material Die Cast Aluminum  
Lens Clear polycarbonate  
L70 Life 150,000 Hours  
Warranty 10 Years  
CRI 80+  
Qualification UL, DLC Prem./5.1, FCC, CE, RoHS  
Chip Man. Philips  
Whip Length(ft) 4'

## Electrical

Power Factor 0.99  
Frequency 50/60 Hz  
Max THD 15%  
Operating Temp. -40° F to 150° F  
-40° C to 65° C  
Dimming 3 in 1 (Resistance, PWM, 1-10V)

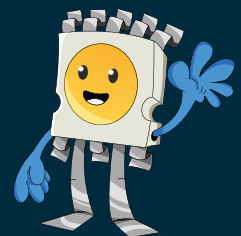
LED HIGH BAY WATERPROOF UFO

## Ordering Information

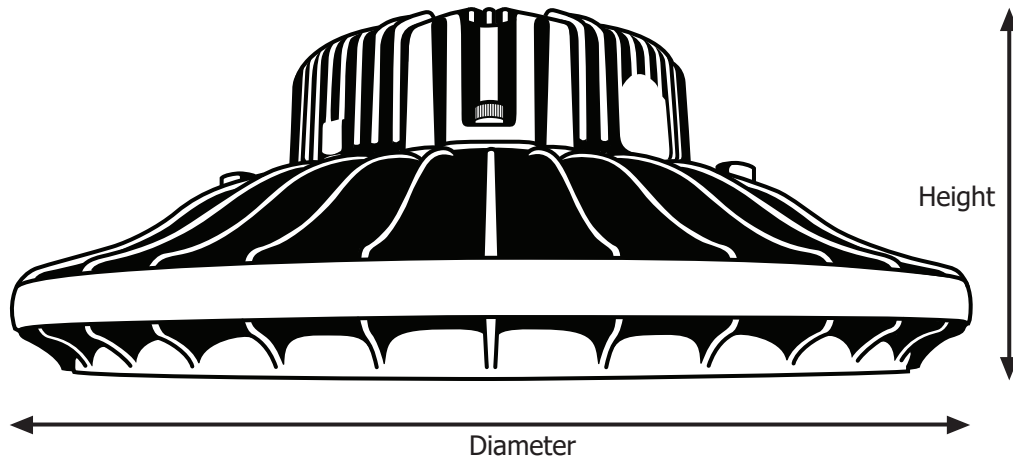
ORDERING/DLC #:	Wattage	CCT	Lumens	Equivalent
U-UHBHO-100-30	100W	3000K	15,320 lm	500W MH
U-UHBHO-100-40	100W	4000K	15,900 lm	500W MH
U-UHBHO-100-50	100W	5000K	16,300 lm	500W MH
U-UHBHO-150-30	150W	3000K	23,560 lm	1000W MH
U-UHBHO-150-40	150W	4000K	24,168 lm	1000W MH
U-UHBHO-150-50	150W	5000K	24,776 lm	1000W MH
U-UHBHO-240-30	240W	3000K	37,200 lm	1500W MH
U-UHBHO-240-40	240W	4000K	38,160 lm	1500W MH
U-UHBHO-240-50	240W	5000K	39,120 lm	1500W MH
U-UHB-320W-30-D	320W	3000K	51,818 lm	2000W MH
U-UHB-320W-40-D	320W	4000K	52,480 lm	2000W MH
U-UHB-320W-50-D	320W	5000K	54,400 lm	2000W MH

## Additional Notes

- 4000K and 5000K, 100-277V are stocked locally, check for ETA's
- Altech Electronics reserves the right to make periodic improvements to our product specs



**Fixture Dimensions and Weight**



Fixture Wattage	Diameter	Height	Weight
100W and 150W	13.2 in.	6.7 in.	11.7 lb., 12.6 lb.
	335 mm.	170 mm.	5.3 kg., 5.7 kg.

Weight for 100W and 150W respectively.

Fixture Wattage	Diameter	Height	Weight
240W and 320W	17 in.	6.7 in.	19.8 lb., 21.6 lb.
	505 mm.	190 mm.	8.9 kg., 9.8 kg.

Weight for 240W and 320W respectively.

**Accessories and Options**



Compatible with controls and integrations



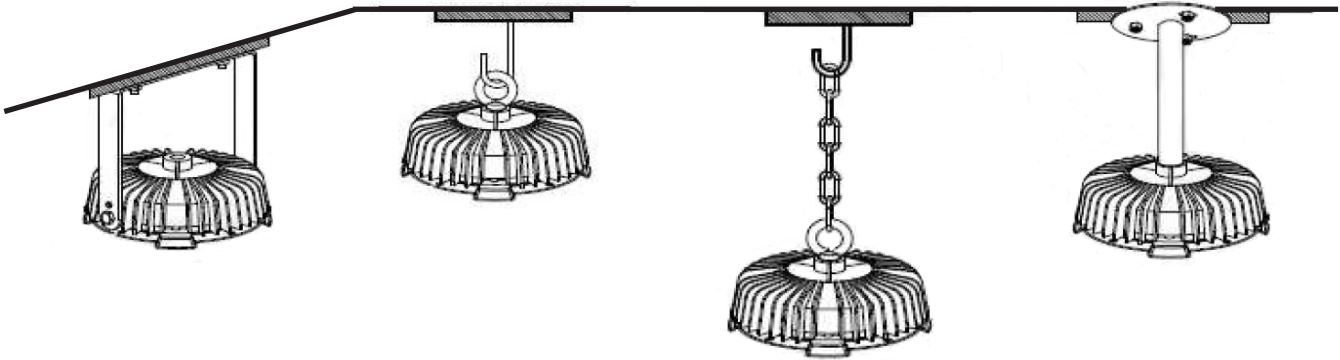
Phenix External Emergency Inverter (18470X-3) (optional)



Opening diameter = 0.75"

Pendant Adaptor (optional)

**Mounting Options Supported**



**Bracket Installation**  
(standard on **320W**;  
optional on **100W, 150W, 240W**)

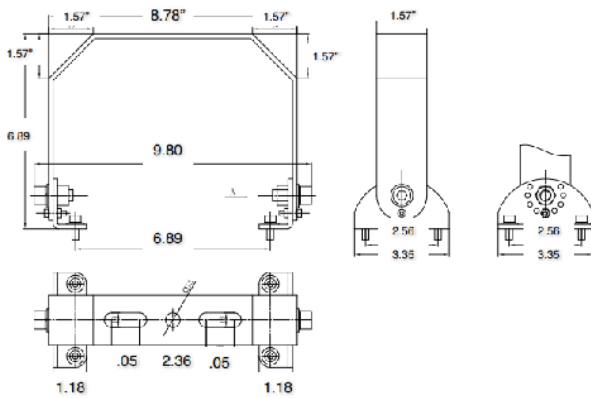
**Hook Installation**  
(standard on **100W, 150W, 240W**;  
optional for **320W**)

**Chain Installation**  
(optional for all wattages)

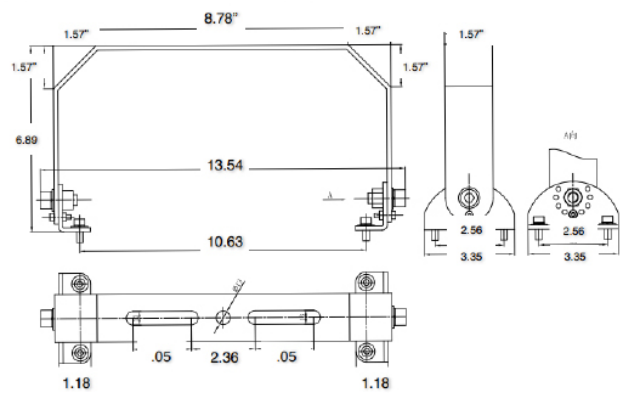
**Pendant Installation**  
(optional for all wattages)

**Bracket Dimensions**

**100 & 150 Watt U-Bracket**

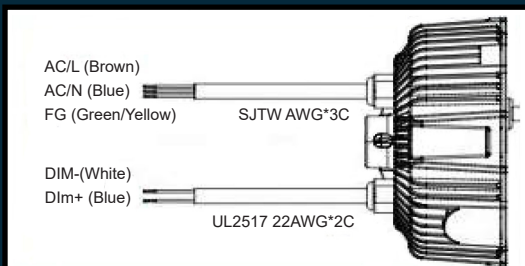


**240 & 320 Watt U-Bracket**



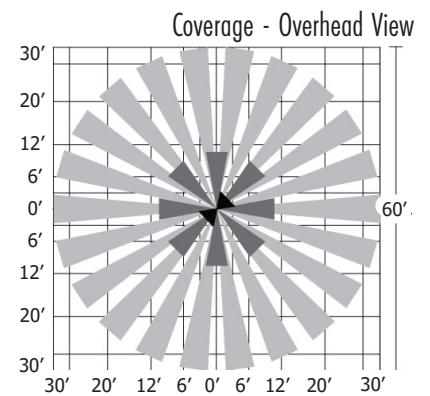
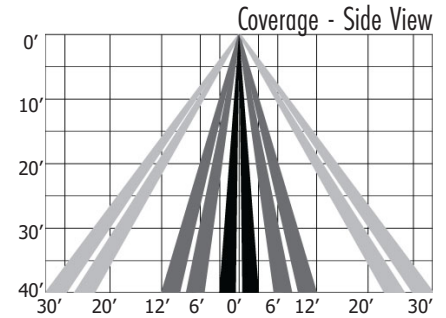
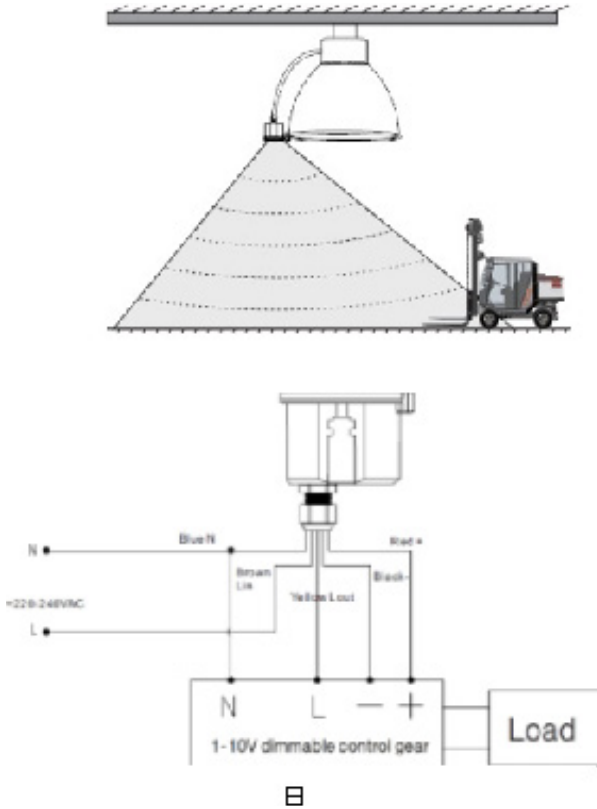
**Installation**

1. Important: Shut the power down.
2. Hang the fixture.
3. Connect the power.

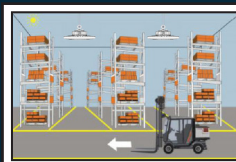


**LED HIGH BAY WATERPROOF UFO**

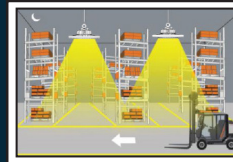
*Motion Sensor*



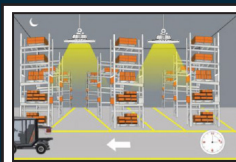
*Motion Detection*



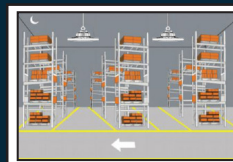
1. With sufficient ambient light, the sensor does not turn the fixture on.



2. With insufficient ambient light, the sensor turns the fixture on when motion is detected.



3. After hold time, the sensor dims the fixture to a low light level if no new motion is detected.



4. After stand-by-period, the sensor turns off the fixture if no motion is detected in its zone.

This 3-Step Dimming/Daylight Sensor with remote control, provides a simple energy-saving solution to use light only when and where you need it. The motion sensor can be mounted at a maximum of 50 ft above the ground and still detect moving objects within a 60 ft radius. This sensor also has a daylight sensor for further lighting customization and energy savings.

