

ES03

LED Emergency Lighting and Exit Sign for Hazardous Locations

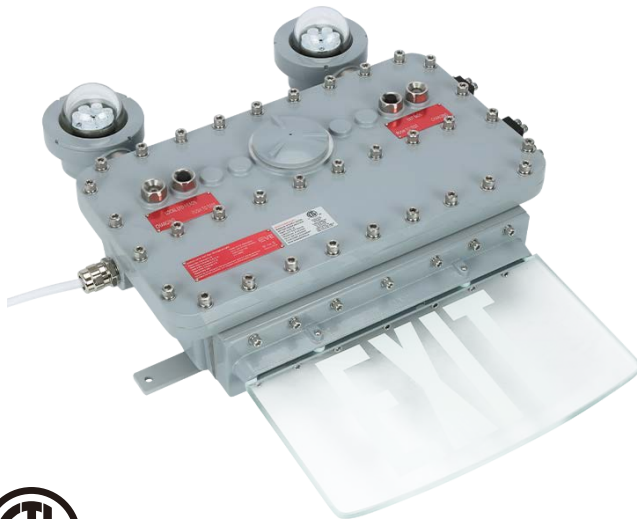


Fig. 1

Classifications:

- ◆ Class I, Division 1, Groups C, D
- ◆ Class I, Division 2, Groups A, B, C, D
- ◆ Class II, Division 1, Groups E, F, G
- ◆ Class II, Division 2, Groups F, G
- ◆ Class III
- ◆ UL 844 Hazardous Locations
- ◆ UL 924 Emergency Lighting
- ◆ UL 1598A Marine Outside Type
- ◆ UL 1598 Wet Locations
- ◆ UL 8750 LED Safety
- ◆ ETL
- ◆ NEMA 4X
- ◆ IP66 / Wet Locations
- ◆ Impact level: IK10 (enclosure); IK08 (glass)

Key Features:

- ◆ Label content can be customized.
- ◆ Low working wattage for energy saving.
- ◆ Independent battery backup system for exit sign (1W-5W) and spot lights (10W-18W).
- ◆ Edge-lit sign.
- ◆ Two high-lumen spot lights can be adjusted in horizontal and vertical directions.
- ◆ 3-hour emergency operation.
- ◆ Hinged access door.
- ◆ The LED circuit board and driver are not replaceable on site.

Additional Features:

- ◆ Beam angle: 90° or 120°; lamp adjustable angle: 0° to 180°.
- ◆ 3/4" NPT or M25 conduit hubs.
- ◆ Red, yellow, green or other LED options.
- ◆ Working temperature: -40°F to 149°F.
- ◆ Long lifespan up to 50,000 hours.
- ◆ 5-year warranty.

LED Emergency Lighting and Exit Sign - ES03

Standard Materials:

- ◆ Sign Panel: Glass
- ◆ Mounting Sling: Stainless steel
- ◆ Hardware: Stainless steel
- ◆ Exit sign: Tempered glass
- ◆ Housing: A360 Die-casting aluminum

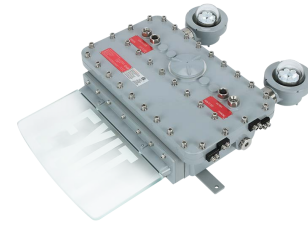
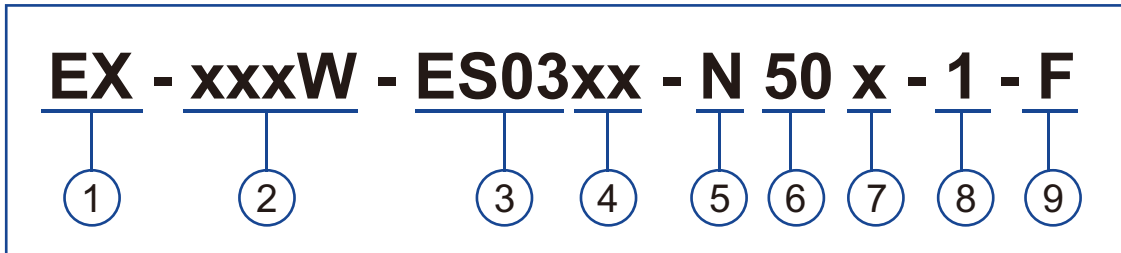


Fig. 2
(with spherical guard)

Catalog Number Logic:



① **PRODUCT CATEGORY**

- ◆ Explosion proof product

② **WATTAGE**

- ◆ 4.5W-22W

③ **PRODUCT SERIES**

- ◆ ES03

④ **PRODUCT TYPE**

- ◆ Y=A1: Emergency Light
- ◆ Y=A2: Emergency Light + Escape Sign
- ◆ Y=A3: Escape Sign
- ◆ Y=A4: Emergency Power
- ◆ Y=C1: Emergency Light
- ◆ Y=C2: Emergency Power

⑤ **DIMMING OPTION**

- ◆ N: Non-dimmable

⑥ **CCT**

- ◆ R: red, G: green
- ◆ 30: 3000K, 40: 4000K, 50: 5000K, 65: 6500K (optional)

⑦ **SIGN TYPES**

- ◆ A: EXIT
- ◆ E: ↓
- ◆ I: ↘
- ◆ B: ←
- ◆ F: ↙
- ◆ J: ← EXIT
- ◆ C: ↑
- ◆ G: ↗
- ◆ K: EXIT →
- ◆ D: →
- ◆ H: ↗

⑧ **PLACE OF ORIGINAL**

- ◆ 1: Made in USA
- ◆ 0: Made in other countries

⑨ **OPTIONAL**

- ◆ F: Food industry (equipped with spherical guard made of tempered glass, refer to the above Fig. 2.)
- ◆ Blank: Other fields

Packing Information:

Model	Quantity/Carton	Packing Size	Net Weight	Gross Weight
ES03A (Without Sign)	1 Pc	22.28x20.67x11.45inch	44.09 lbs	48.50 lbs
ES03A (With Sign)	1 Pc	29.13x22.28x11.45inch	55.12 lbs	59.52 lbs
ES03C (Without Sign)	1 Pc	16.93x16.69x10.87inch	17.64 lbs	20.94 lbs

LED Emergency Lighting and Exit Sign - ES03

Dimensions & Technical Data:

Unit: inch

Type YJ: Junction Box and Emergency Battery backup Box

			Housing	Model Number	Input
			Model C	EX-PD61-YJ01 ES03C2	Max AC800V Currency Cable Cross Section:2.5mm ² 24A Cable Cross Section:4.0mm ² 32A Cable Cross Section:6.0mm ² 41A Cable Cross Section:10mm ² 57A Cable Cross Section:16mm ² 76A Cable Cross Section:35mm ² 125A Cable Cross Section:70mm ² 192A Cable Cross Section:240mm ² 400A
			Model A	EX-PD61-YJ01 ES03A4	

Type 1: Battery Backup + Luminaire (two pieces of spot light)

			Housing	Model Number	Wattage	Lumens (lm)	Input
			Model C	EX-3W ES03C1N50	3W	285	AC100-277V (by driver and by IC)
				EX-5W ES03C1N50	5W	475	
				EX-10W ES03C1N50	10W	900	
			Model A	EX-3W ES03A1N50	3W	285	AC100-277V (by driver and by IC) Or DC12-48V
				EX-5W ES03A1N50	5W	475	
				EX-8W ES03A1N50	8W	720	
				EX-10W ES03A1N50	10W	900	

Type 2: Battery Backup + Luminaire + Exit Sign

			Housing	Model Number	Wattage	Lumens (lm)	Input
			Model A	EX-3W ES03A2N50	3W	285	AC100-277V (by driver and by IC) Or DC12-48V
				EX-5W ES03A2N50	5W	475	
				EX-8W ES03A2N50	8W	720	
				EX-10W ES03A2N50	10W	900	

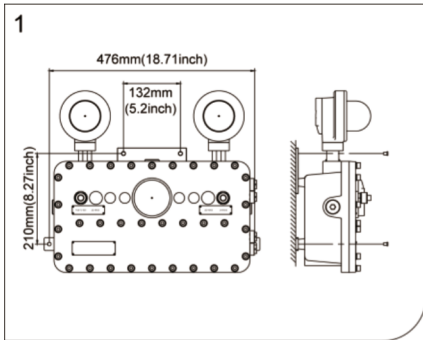
Type 3: Battery Backup + Exit Sign

			Housing	Model Number	Wattage	Lumens (lm)	Input
			Model A	EX-3W ES03A3N50	3W	285	AC100-277V (by driver and by IC) Or DC12-48V
				EX-5W ES03A3N50	5W	475	
				EX-8W ES03A3N50	8W	720	
				EX-10W ES03A3N50	10W	900	

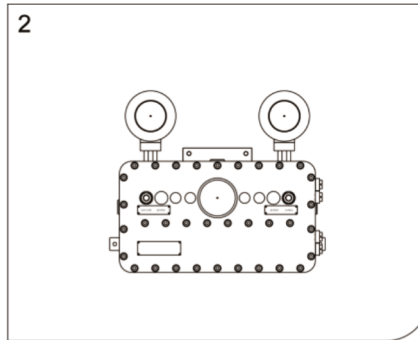
LED Emergency Lighting and Exit Sign - ES03

Mounting Instructions:

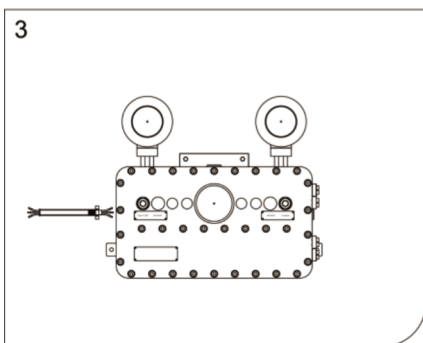
1. Wall mounting (Turn off the power before installation)



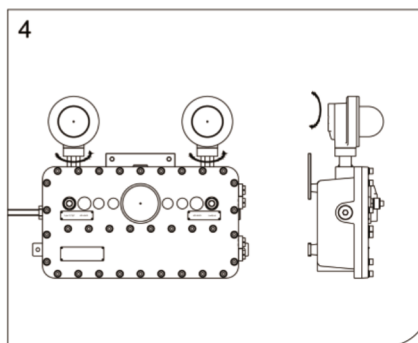
Drill two holes as fig. 1, the distance as per 476mm (18.74inch) and 132mm (5.19inch).



Fix with four 5/16-inch expansion screws.

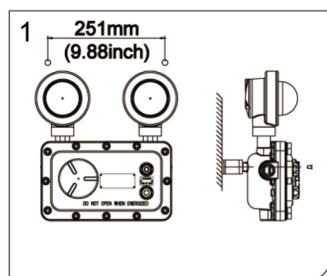


Install pipe to 3/4 NPT entry and fix 16mm (0.63inch) Chico A.

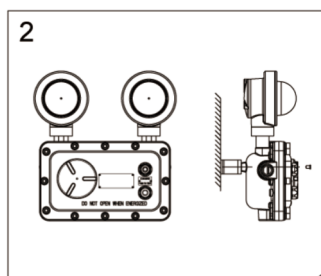


Connect the AC cable: black cable joins to L, white cable joins to N, green cable joins to grounding.

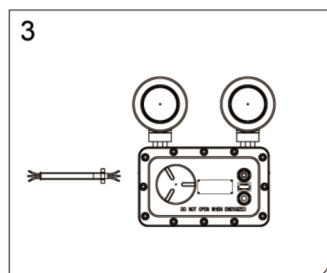
2. Wall mounting (Turn off the power before installation)



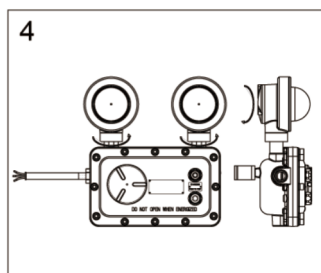
Drill two holes as fig. 1, the distance as per 251mm (9.88inch).



Fix two M10 expansion screws.



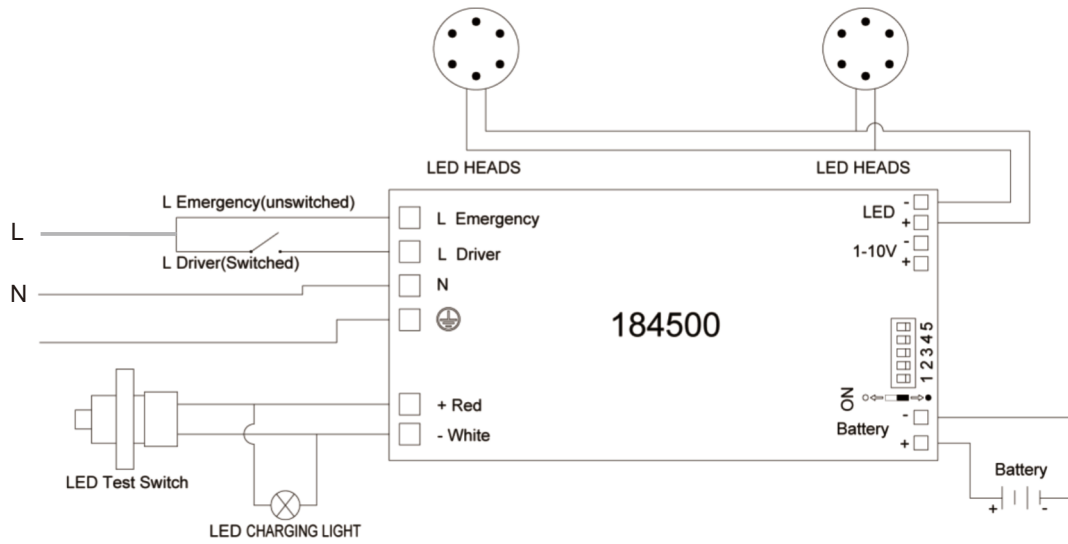
Install pipe to 3/4 NPT entry and fix 19mm (0.75inch) Chico A.



Connect the AC cable: black cable joins to L, white cable joins to N, green cable joins to grounding.

LED Emergency Lighting and Exit Sign - ES03

Wiring Diagram:



Accessory:



Model: Ex-arm
 Name: Mounting Arm
 Material: Aluminum